

# **CENTRAL PROCESSING UNIT**

- **Introduction**
- **General Register Organization**
- **Stack Organization**
- **Instruction Formats**
- **Addressing Modes**
- **Data Transfer and Manipulation**
- **Program Control**
- **Reduced Instruction Set Computer**

# MAJOR COMPONENTS OF CPU

- **Storage Components**

Registers

Flags

- **Execution (Processing) Components**

Arithmetic Logic Unit(ALU)

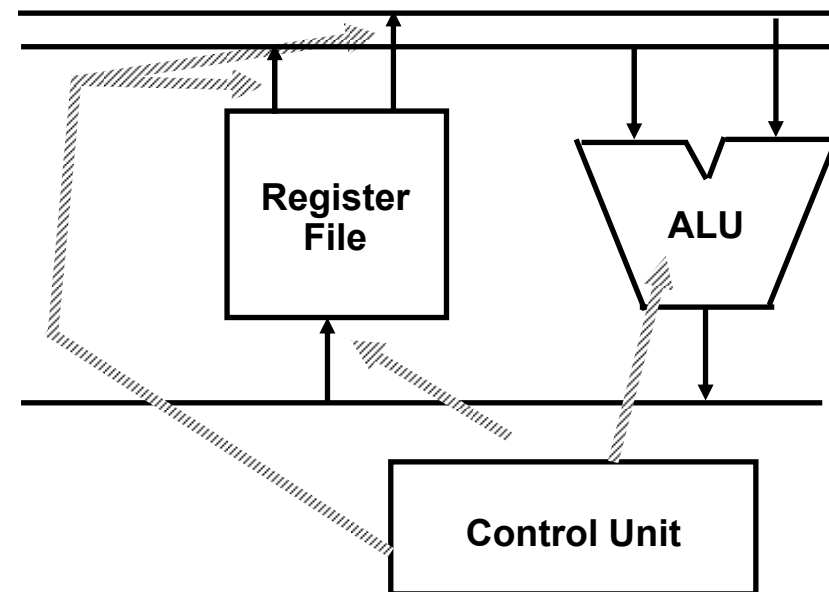
Arithmetic calculations, Logical computations, Shifts/Rotates

- **Transfer Components**

Bus

- **Control Components**

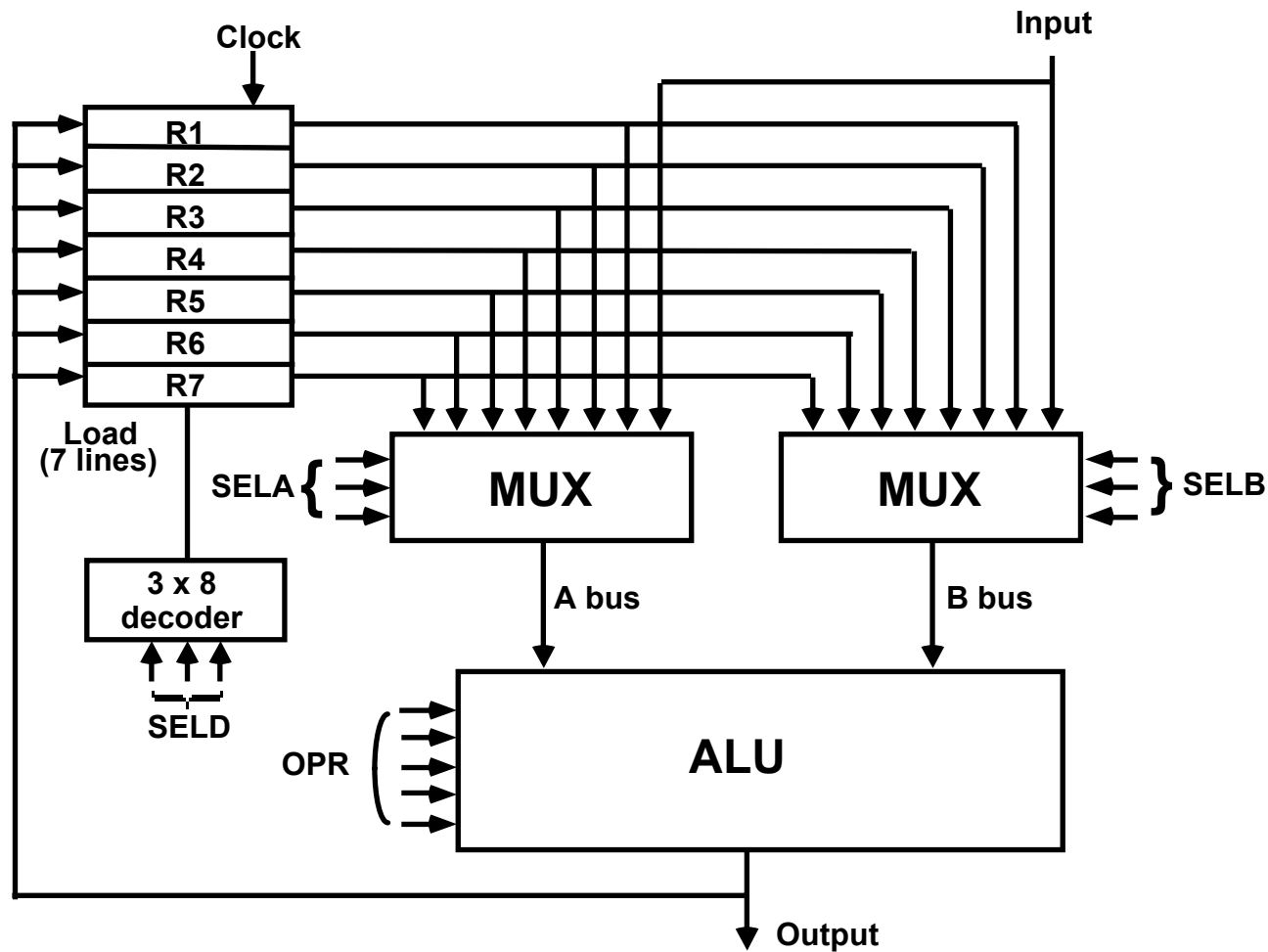
Control Unit



# REGISTERS

- In Basic Computer, there is only one general purpose register, the Accumulator (AC)
- In modern CPUs, there are many general purpose registers
- It is advantageous to have many registers
  - Transfer between registers within the processor are relatively fast
  - Going “off the processor” to access memory is much slower
  
- How many registers will be the best ?

# GENERAL REGISTER ORGANIZATION



# OPERATION OF CONTROL UNIT

## The control unit

Directs the information flow through ALU by

- Selecting various *Components* in the system
- Selecting the *Function* of ALU

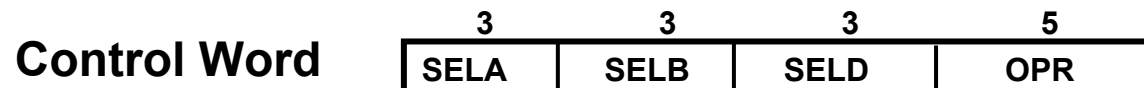
Example:  $R1 \leftarrow R2 + R3$

[1] MUX A selector (SELA):  $BUS\ A \leftarrow R2$

[2] MUX B selector (SELB):  $BUS\ B \leftarrow R3$

[3] ALU operation selector (OPR): ALU to ADD

[4] Decoder destination selector (SELD):  $R1 \leftarrow Out\ Bus$



## Encoding of register selection fields

Binary Code	SELA	SELB	SELD
000	Input	Input	None
001	R1	R1	R1
010	R2	R2	R2
011	R3	R3	R3
100	R4	R4	R4
101	R5	R5	R5
110	R6	R6	R6
111	R7	R7	R7

# ALU CONTROL

## Encoding of ALU operations

OPR Select	Operation	Symbol
00000	Transfer A	TSFA
00001	Increment A	INCA
00010	ADD A + B	ADD
00101	Subtract A - B	SUB
00110	Decrement A	DECA
01000	AND A and B	AND
01010	OR A and B	OR
01100	XOR A and B	XOR
01110	Complement A	COMA
10000	Shift right A	SHRA
11000	Shift left A	SHLA

## Examples of ALU Microoperations

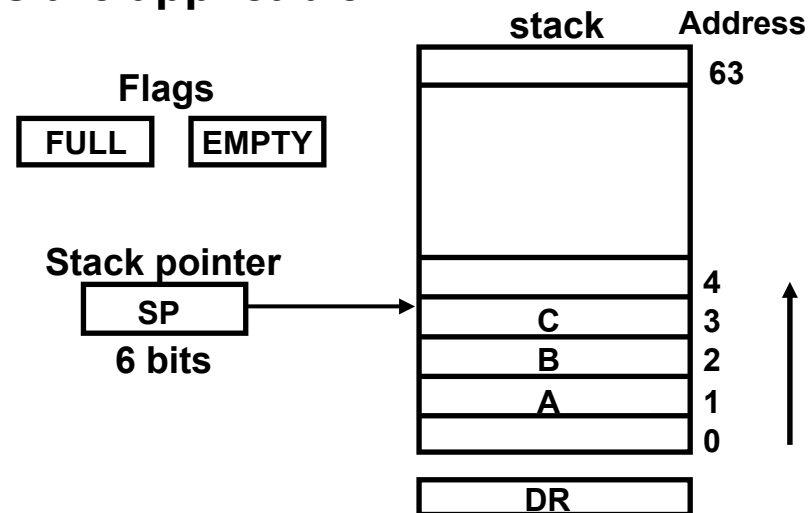
Microoperation	Symbolic Designation				Control Word
	SELA	SELB	SELD	OPR	
$R1 \leftarrow R2 - R3$	R2	R3	R1	SUB	010 011 001 00101
$R4 \leftarrow R4 \vee R5$	R4	R5	R4	OR	100 101 100 01010
$R6 \leftarrow R6 + 1$	R6	-	R6	INCA	110 000 110 00001
$R7 \leftarrow R1$	R1	-	R7	TSFA	001 000 111 00000
Output $\leftarrow$ R2	R2	-	None	TSFA	010 000 000 00000
Output $\leftarrow$ Input	Input	-	None	TSFA	000 000 000 00000
$R4 \leftarrow \text{shl } R4$	R4	-	R4	SHLA	100 000 100 11000
$R5 \leftarrow 0$	R5	R5	R5	XOR	101 101 101 01100

# REGISTER STACK ORGANIZATION

## Stack

- Very useful feature for nested subroutines, nested interrupt services
- Also efficient for arithmetic expression evaluation
- Storage which can be accessed in LIFO
- Pointer: SP
- Only PUSH and POP operations are applicable

## Register Stack



## Push, Pop operations

*/\* Initially, SP = 0, EMPTY = 1, FULL = 0 \*/*

### PUSH

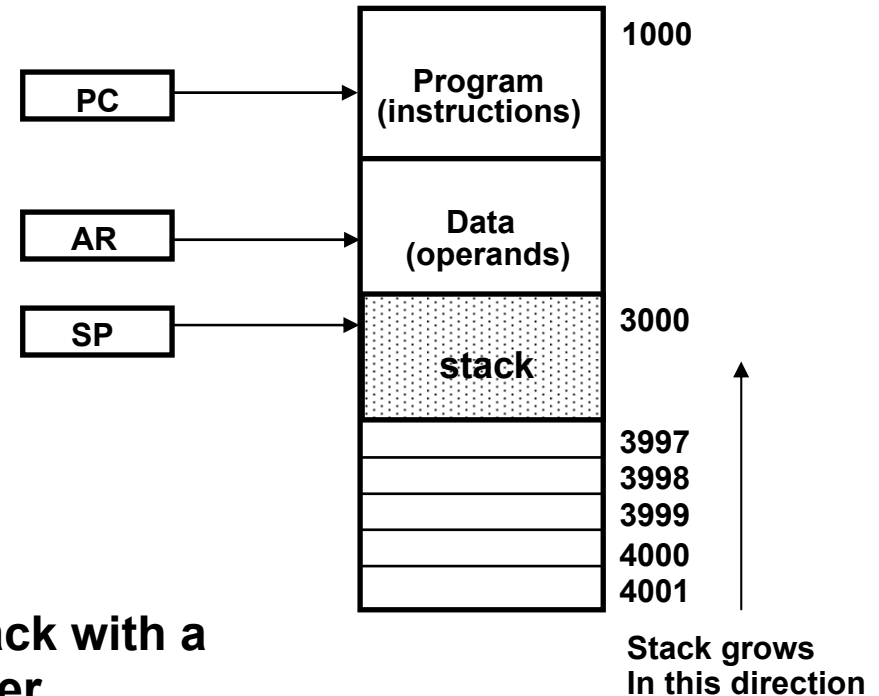
$SP \leftarrow SP + 1$   
 $M[SP] \leftarrow DR$   
 If  $(SP = 0)$  then  $(FULL \leftarrow 1)$   
 $EMPTY \leftarrow 0$

### POP

$DR \leftarrow M[SP]$   
 $SP \leftarrow SP - 1$   
 If  $(SP = 0)$  then  $(EMPTY \leftarrow 1)$   
 $FULL \leftarrow 0$

# MEMORY STACK ORGANIZATION

Memory with Program, Data,  
and Stack Segments



- A portion of memory is used as a stack with a processor register as a stack pointer

- PUSH:  $SP \leftarrow SP - 1$   
 $M[SP] \leftarrow DR$

- POP:  $DR \leftarrow M[SP]$   
 $SP \leftarrow SP + 1$

- Most computers do not provide hardware to check stack overflow (full stack) or underflow (empty stack) → must be done in software



# REVERSE POLISH NOTATION

- Arithmetic Expressions:  $A + B$

$A + B$     Infix notation

$+ A B$     Prefix or Polish notation

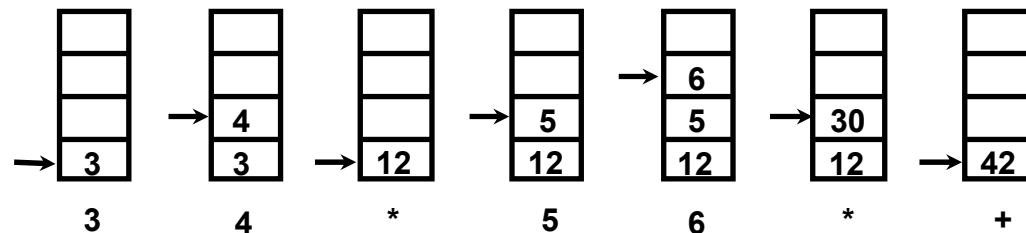
$A B +$     Postfix or reverse Polish notation

- The reverse Polish notation is very suitable for stack manipulation

- Evaluation of Arithmetic Expressions

Any arithmetic expression can be expressed in parenthesis-free Polish notation, including reverse Polish notation

$$(3 * 4) + (5 * 6) \Rightarrow 3 4 * 5 6 * +$$



# PROCESSOR ORGANIZATION

- **In general, most processors are organized in one of 3 ways**
  - **Single register (Accumulator) organization**
    - » **Basic Computer is a good example**
    - » **Accumulator is the only general purpose register**
  - **General register organization**
    - » **Used by most modern computer processors**
    - » **Any of the registers can be used as the source or destination for computer operations**
  - **Stack organization**
    - » **All operations are done using the hardware stack**
    - » **For example, an OR instruction will pop the two top elements from the stack, do a logical OR on them, and push the result on the stack**

# INSTRUCTION FORMAT

- **Instruction Fields**

**OP-code field** - specifies the operation to be performed

**Address field** - designates memory address(es) or a processor register(s)

**Mode field** - determines how the address field is to be interpreted (to get effective address or the operand)

- **The number of address fields in the instruction format depends on the internal organization of CPU**

- **The three most common CPU organizations:**

**Single accumulator organization:**

**ADD X** /\* AC ← AC + M[X] \*/

**General register organization:**

**ADD R1, R2, R3** /\* R1 ← R2 + R3 \*/

**ADD R1, R2** /\* R1 ← R1 + R2 \*/

**MOV R1, R2** /\* R1 ← R2 \*/

**ADD R1, X** /\* R1 ← R1 + M[X] \*/

**Stack organization:**

**PUSH X** /\* TOS ← M[X] \*/

**ADD**

# THREE, AND TWO-ADDRESS INSTRUCTIONS

## • Three-Address Instructions

Program to evaluate  $X = (A + B) * (C + D)$  :

```

ADD   R1, A, B      /* R1 ← M[A] + M[B]   */
ADD   R2, C, D      /* R2 ← M[C] + M[D]   */
MUL   X, R1, R2     /* M[X] ← R1 * R2     */

```

- Results in short programs
- Instruction becomes long (many bits)

## • Two-Address Instructions

Program to evaluate  $X = (A + B) * (C + D)$  :

```

MOV   R1, A         /* R1 ← M[A]          */
ADD   R1, B         /* R1 ← R1 + M[A]     */
MOV   R2, C         /* R2 ← M[C]          */
ADD   R2, D         /* R2 ← R2 + M[D]     */
MUL   R1, R2        /* R1 ← R1 * R2       */
MOV   X, R1         /* M[X] ← R1          */

```

# ONE, AND ZERO-ADDRESS INSTRUCTIONS

## • One-Address Instructions

- Use an implied AC register for all data manipulation
- Program to evaluate  $X = (A + B) * (C + D)$  :

```

LOAD      A      /* AC ← M[A]      */
ADD       B      /* AC ← AC + M[B] */
STORE    T      /* M[T] ← AC      */
LOAD     C      /* AC ← M[C]      */
ADD      D      /* AC ← AC + M[D] */
MUL      T      /* AC ← AC * M[T] */
STORE    X      /* M[X] ← AC      */

```

## • Zero-Address Instructions

- Can be found in a stack-organized computer
- Program to evaluate  $X = (A + B) * (C + D)$  :

```

PUSH     A      /* TOS ← A        */
PUSH     B      /* TOS ← B        */
ADD      /* TOS ← (A + B)  */
PUSH     C      /* TOS ← C        */
PUSH     D      /* TOS ← D        */
ADD      /* TOS ← (C + D)  */
MUL      /* TOS ← (C + D) * (A + B) */
POP      X      /* M[X] ← TOS     */

```

# ADDRESSING MODES

- **Addressing Modes**

- \* **Specifies a rule for interpreting or modifying the address field of the instruction (before the operand is actually referenced)**

- \* **Variety of addressing modes**

- **to give programming flexibility to the user**
    - **to use the bits in the address field of the instruction efficiently**

## TYPES OF ADDRESSING MODES

- **Implied Mode**

Address of the operands are specified implicitly in the definition of the instruction

- No need to specify address in the instruction
- EA = AC, or EA = Stack[SP]
- Examples from Basic Computer  
CLA, CME, INP

- **Immediate Mode**

Instead of specifying the address of the operand, operand itself is specified

- No need to specify address in the instruction
- However, operand itself needs to be specified
- Sometimes, require more bits than the address
- Fast to acquire an operand

## TYPES OF ADDRESSING MODES

- **Register Mode**

Address specified in the instruction is the register address

- Designated operand need to be in a register
- Shorter address than the memory address
- Saving address field in the instruction
- Faster to acquire an operand than the memory addressing
- $EA = IR(R)$  ( $IR(R)$ : Register field of IR)

- **Register Indirect Mode**

Instruction specifies a register which contains the memory address of the operand

- Saving instruction bits since register address is shorter than the memory address
- Slower to acquire an operand than both the register addressing or memory addressing
- $EA = [IR(R)]$  ( $[x]$ : Content of x)

- **Autoincrement or Autodecrement Mode**

- When the address in the register is used to access memory, the value in the register is incremented or decremented by 1 automatically



## TYPES OF ADDRESSING MODES

- **Direct Address Mode**

Instruction specifies the memory address which can be used directly to access the memory

- Faster than the other memory addressing modes
- Too many bits are needed to specify the address for a large physical memory space
- $EA = IR(addr)$  ( $IR(addr)$ : address field of  $IR$ )

- **Indirect Addressing Mode**

The address field of an instruction specifies the address of a memory location that contains the address of the operand

- When the abbreviated address is used large physical memory can be addressed with a relatively small number of bits
- Slow to acquire an operand because of an additional memory access
- $EA = M[IR(address)]$

## TYPES OF ADDRESSING MODES

- **Relative Addressing Modes**

The Address fields of an instruction specifies the part of the address (abbreviated address) which can be used along with a designated register to calculate the address of the operand

- Address field of the instruction is short
- Large physical memory can be accessed with a small number of address bits
- $EA = f(IR(\text{address}), R)$ , R is sometimes implied

3 different Relative Addressing Modes depending on R;

- \* **PC Relative Addressing Mode (R = PC)**

- $EA = PC + IR(\text{address})$

- \* **Indexed Addressing Mode (R = IX, where IX: Index Register)**

- $EA = IX + IR(\text{address})$

- \* **Base Register Addressing Mode**

(R = BAR, where BAR: Base Address Register)

- $EA = BAR + IR(\text{address})$

# ADDRESSING MODES - EXAMPLES -

PC = 200

R1 = 400

XR = 100

AC

Address	Memory
200	<b>Load to AC</b>   <b>Mode</b>
201	Address = 500
202	Next instruction
399	450
400	700
500	800
600	900
702	325
800	300

Addressing Mode	Effective Address	Content of AC
Direct address	500	<i>/* AC ← (500) */</i> 800
Immediate operand	-	<i>/* AC ← 500 */</i> 500
Indirect address	800	<i>/* AC ← ((500)) */</i> 300
Relative address	702	<i>/* AC ← (PC+500) */</i> 325
Indexed address	600	<i>/* AC ← (RX+500) */</i> 900
Register	-	<i>/* AC ← R1 */</i> 400
Register indirect	400	<i>/* AC ← (R1) */</i> 700
Autoincrement	400	<i>/* AC ← (R1)+ */</i> 700
Autodecrement	399	<i>/* AC ← -(R) */</i> 450

# DATA TRANSFER INSTRUCTIONS

- Typical Data Transfer Instructions

Name	Mnemonic
Load	LD
Store	ST
Move	MOV
Exchange	XCH
Input	IN
Output	OUT
Push	PUSH
Pop	POP

- Data Transfer Instructions with Different Addressing Modes

Mode	Assembly Convention	Register Transfer
Direct address	LD ADR	$AC \leftarrow M[ADR]$
Indirect address	LD @ADR	$AC \leftarrow M[M[ADR]]$
Relative address	LD \$ADR	$AC \leftarrow M[PC + ADR]$
Immediate operand	LD #NBR	$AC \leftarrow NBR$
Index addressing	LD ADR(X)	$AC \leftarrow M[ADR + XR]$
Register	LD R1	$AC \leftarrow R1$
Register indirect	LD (R1)	$AC \leftarrow M[R1]$
Autoincrement	LD (R1)+	$AC \leftarrow M[R1], R1 \leftarrow R1 + 1$
Autodecrement	LD -(R1)	$R1 \leftarrow R1 - 1, AC \leftarrow M[R1]$

# DATA MANIPULATION INSTRUCTIONS

- Three Basic Types: Arithmetic instructions  
Logical and bit manipulation instructions  
Shift instructions

- Arithmetic Instructions

Name	Mnemonic
Increment	INC
Decrement	DEC
Add	ADD
Subtract	SUB
Multiply	MUL
Divide	DIV
Add with Carry	ADDC
Subtract with Borrow	SUBB
Negate(2's Complement)	NEG

- Logical and Bit Manipulation Instructions

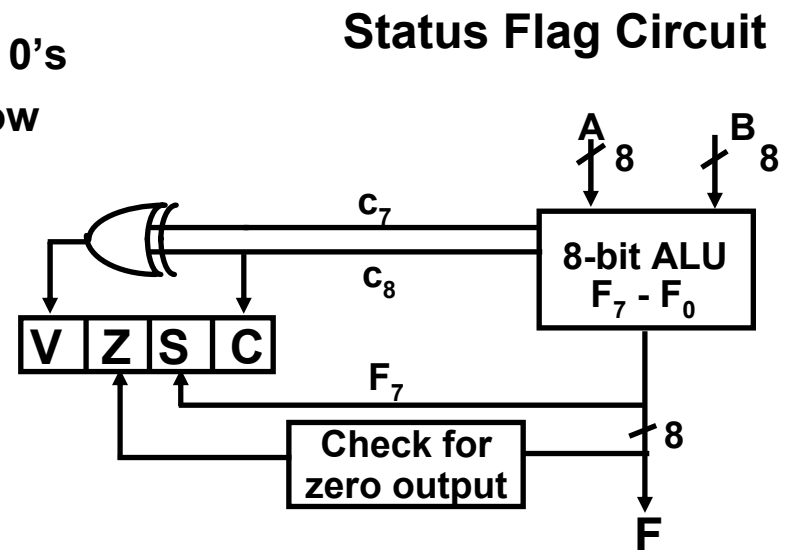
Name	Mnemonic
Clear	CLR
Complement	COM
AND	AND
OR	OR
Exclusive-OR	XOR
Clear carry	CLRC
Set carry	SETC
Complement carry	COMC
Enable interrupt	EI
Disable interrupt	DI

- Shift Instructions

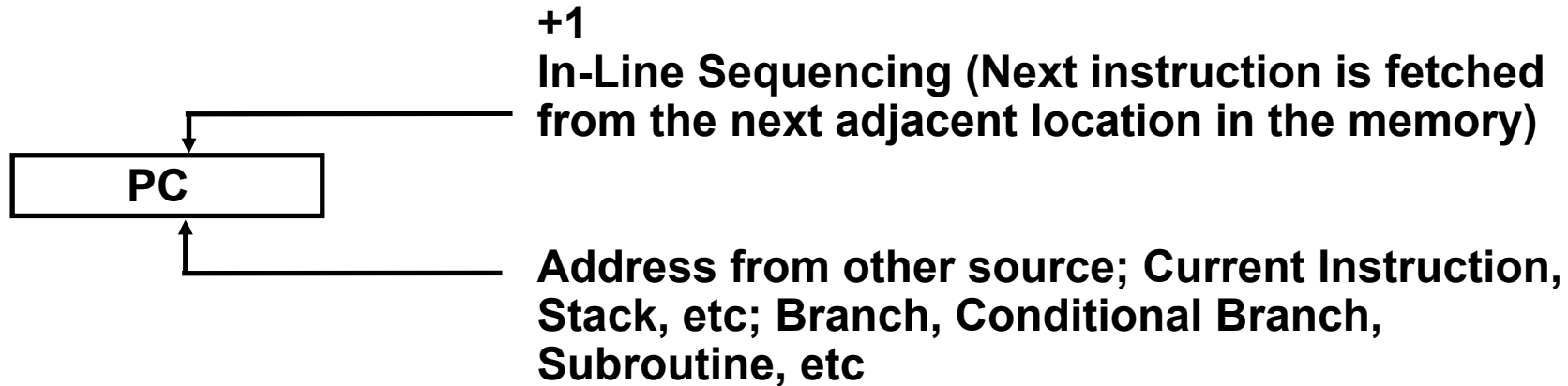
Name	Mnemonic
Logical shift right	SHR
Logical shift left	SHL
Arithmetic shift right	SHRA
Arithmetic shift left	SHLA
Rotate right	ROR
Rotate left	ROL
Rotate right thru carry	RORC
Rotate left thru carry	ROLC

## FLAG, PROCESSOR STATUS WORD

- In Basic Computer, the processor had several (status) flags – 1 bit value that indicated various information about the processor's state – E, FGI, FGO, I, IEN, R
- In some processors, flags like these are often combined into a register – the processor status register (PSR); sometimes called a processor status word (PSW)
- Common flags in PSW are
  - C (Carry): Set to 1 if the carry out of the ALU is 1
  - S (Sign): The MSB bit of the ALU's output
  - Z (Zero): Set to 1 if the ALU's output is all 0's
  - V (Overflow): Set to 1 if there is an overflow



# PROGRAM CONTROL INSTRUCTIONS



- Program Control Instructions

Name	Mnemonic
Branch	BR
Jump	JMP
Skip	SKP
Call	CALL
Return	RTN
Compare(by – )	CMP
Test(by AND)	TST

\* CMP and TST instructions do not retain their results of operations ( – and AND, respectively). They only set or clear certain Flags.

# CONDITIONAL BRANCH INSTRUCTIONS

Mnemonic	Branch condition	Tested condition
BZ	Branch if zero	Z = 1
BNZ	Branch if not zero	Z = 0
BC	Branch if carry	C = 1
BNC	Branch if no carry	C = 0
BP	Branch if plus	S = 0
BM	Branch if minus	S = 1
BV	Branch if overflow	V = 1
BNV	Branch if no overflow	V = 0
<i>Unsigned</i> compare conditions (A - B)		
BHI	Branch if higher	A > B
BHE	Branch if higher or equal	A ≥ B
BLO	Branch if lower	A < B
BLOE	Branch if lower or equal	A ≤ B
BE	Branch if equal	A = B
BNE	Branch if not equal	A ≠ B
<i>Signed</i> compare conditions (A - B)		
BGT	Branch if greater than	A > B
BGE	Branch if greater or equal	A ≥ B
BLT	Branch if less than	A < B
BLE	Branch if less or equal	A ≤ B
BE	Branch if equal	A = B
BNE	Branch if not equal	A ≠ B



# SUBROUTINE CALL AND RETURN

- **Subroutine Call**
  - Call subroutine
  - Jump to subroutine
  - Branch to subroutine
  - Branch and save return address
- **Two Most Important Operations are Implied;**
  - \* **Branch to the beginning of the Subroutine**
    - Same as the Branch or Conditional Branch
  - \* **Save the Return Address to get the address of the location in the Calling Program upon exit from the Subroutine**
- **Locations for storing Return Address**
  - Fixed Location in the subroutine (Memory)
  - Fixed Location in memory
  - In a processor Register
  - In memory *stack*
    - most efficient way

**CALL**

$SP \leftarrow SP - 1$

$M[SP] \leftarrow PC$

$PC \leftarrow EA$

**RTN**

$PC \leftarrow M[SP]$

$SP \leftarrow SP + 1$

# PROGRAM INTERRUPT

## Types of Interrupts

### External interrupts

External Interrupts initiated from the outside of CPU and Memory

- I/O Device → Data transfer request or Data transfer complete
- Timing Device → Timeout
- Power Failure
- Operator

### Internal interrupts (traps)

Internal Interrupts are caused by the currently running program

- Register, Stack Overflow
- Divide by zero
- OP-code Violation
- Protection Violation

### Software Interrupts

Both External and Internal Interrupts are initiated by the computer HW.

Software Interrupts are initiated by the executing an instruction.

- Supervisor Call → Switching from a user mode to the supervisor mode  
→ Allows to execute a certain class of operations  
which are not allowed in the user mode

# INTERRUPT PROCEDURE

## Interrupt Procedure and Subroutine Call

- The interrupt is usually initiated by an internal or an external signal rather than from the execution of an instruction (except for the software interrupt)
- The address of the interrupt service program is determined by the hardware rather than from the address field of an instruction
- An interrupt procedure usually stores all the information necessary to define the state of CPU rather than storing only the PC.

The state of the CPU is determined from;

Content of the PC

Content of all processor registers

Content of status bits

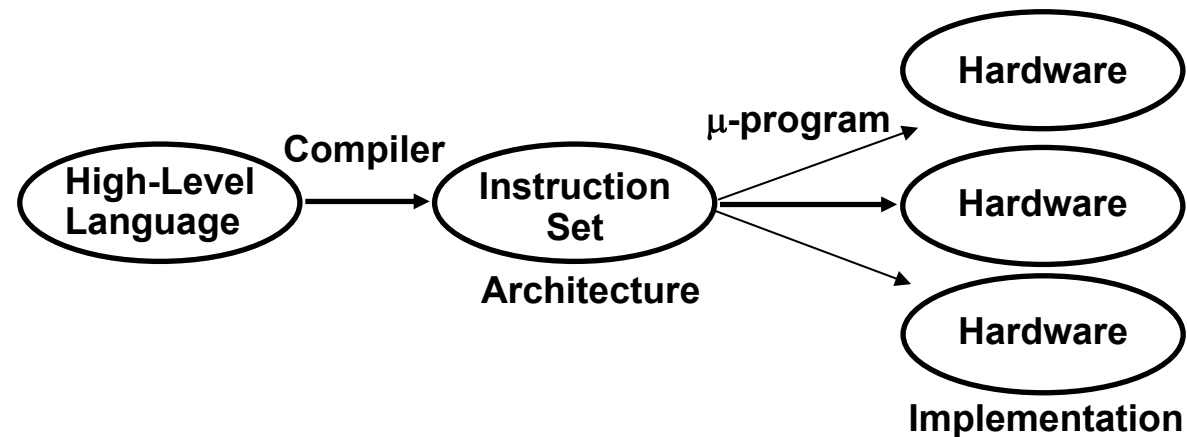
Many ways of saving the CPU state

depending on the CPU architectures

# RISC: Historical Background

## IBM System/360, 1964

- The real beginning of modern computer architecture
- Distinction between *Architecture* and *Implementation*
- **Architecture:** The abstract structure of a computer seen by an assembly-language programmer



- Continuing growth in semiconductor memory and microprogramming
  - ⇒ A much richer and complicated instruction sets
  - ⇒ CISC(Complex Instruction Set Computer)

## ARGUMENTS ADVANCED AT THAT TIME

- Richer instruction sets would simplify compilers
- Richer instruction sets would alleviate the software crisis
  - move as much functions to the hardware as possible
- Richer instruction sets would improve *architecture quality*

## ARCHITECTURE DESIGN PRINCIPLES - IN 70's -

- **Large microprograms would add little or nothing to the cost of the machine**
  - ← Rapid growth of memory technology
  - ⇒ Large General Purpose Instruction Set
- **Microprogram is much faster than the machine instructions**
  - ← Microprogram memory is much faster than main memory
  - ⇒ Moving the software functions into microprogram for the high performance machines
- **Execution speed is proportional to the program size**
  - ← Architectural techniques that led to small program
  - ⇒ High performance instruction set
- **Number of registers in CPU has limitations**
  - ← Very costly
  - ⇒ Difficult to utilize them efficiently

# COMPARISONS OF EXECUTION MODELS

$A \leftarrow B + C$       Data: 32-bit

- Register-to-register

	8	4	16	
Load		rB	B	
Load		rC	C	
Add		rA	rB	rC
Store		rA	A	

I = 104b; D = 96b; M = 200b

- Memory-to-register

	8	16
Load		B
Add		C
Store		A

I = 72b; D = 96b; M = 168b

- Memory-to-memory

8	16	16	16
Add	B	C	A

I = 56b; D = 96b; M = 152b

# FOUR MODERN ARCHITECTURES IN 70's

	IBM 370/168	DEC VAX-11/780	Xerox Dorado	Intel iAPX-432
<b>Year</b>	1973	1978	1978	1982
<b># of instrs.</b>	208	303	270	222
<b>Control mem. size</b>	420 Kb	480 Kb	136 Kb	420 Kb
<b>Instr. size (bits)</b>	16-48	16-456	8-24	6-321
<b>Technology</b>	ECL MSI	TTL MSI	ECL MSI	NMOS VLSI
<b>Execution model</b>	reg-mem mem-mem reg-reg	reg-mem mem-mem reg-reg	stack	stack mem-mem
<b>Cache size</b>	64 Kb	64 Kb	64 Kb	64 Kb



## COMPLEX INSTRUCTION SET COMPUTER

- **These computers with many instructions and addressing modes came to be known as Complex Instruction Set Computers (CISC)**
- **One goal for CISC machines was to have a machine language instruction to match each high-level language statement type**

## VARIABLE LENGTH INSTRUCTIONS

- **The large number of instructions and addressing modes led CISC machines to have variable length instruction formats**
- **The large number of instructions means a greater number of bits to specify them**
- **In order to manage this large number of opcodes efficiently, they were encoded with different lengths:**
  - More frequently used instructions were encoded using short opcodes.
  - Less frequently used ones were assigned longer opcodes.
- **Also, multiple operand instructions could specify different addressing modes for each operand**
  - For example,
    - » Operand 1 could be a directly addressed register,
    - » Operand 2 could be an indirectly addressed memory location,
    - » Operand 3 (the destination) could be an indirectly addressed register.
- **All of this led to the need to have different length instructions in different situations, depending on the opcode and operands used**

## VARIABLE LENGTH INSTRUCTIONS

- **For example, an instruction that only specifies register operands may only be two bytes in length**
  - One byte to specify the instruction and addressing mode
  - One byte to specify the source and destination registers.
- **An instruction that specifies memory addresses for operands may need five bytes**
  - One byte to specify the instruction and addressing mode
  - Two bytes to specify each memory address
    - » Maybe more if there's a large amount of memory.
- **Variable length instructions greatly complicate the fetch and decode problem for a processor**
- **The circuitry to recognize the various instructions and to properly fetch the required number of bytes for operands is very complex**

# COMPLEX INSTRUCTION SET COMPUTER

- Another characteristic of CISC computers is that they have instructions that act directly on memory addresses
  - For example,  
    **ADD L1, L2, L3**  
    that takes the contents of  $M[L1]$  adds it to the contents of  $M[L2]$  and stores the result in location  $M[L3]$
- An instruction like this takes three memory access cycles to execute
- That makes for a potentially very long instruction execution cycle
  
- The problems with CISC computers are
  - The complexity of the design may slow down the processor,
  - The complexity of the design may result in costly errors in the processor design and implementation,
  - Many of the instructions and addressing modes are used rarely, if ever

## SUMMARY: CRITICISMS ON CISC

### High Performance General Purpose Instructions

- **Complex Instruction**
  - Format, Length, Addressing Modes
  - Complicated instruction cycle control due to the complex decoding HW and decoding process
  
- **Multiple memory cycle instructions**
  - Operations on memory data
  - Multiple memory accesses/instruction
  
- **Microprogrammed control is necessity**
  - Microprogram control storage takes substantial portion of CPU chip area
  - Semantic Gap is large between machine instruction and microinstruction
  
- **General purpose instruction set includes all the features required by individually different applications**
  - When any one application is running, all the features required by the other applications are extra burden to the application

## REDUCED INSTRUCTION SET COMPUTERS

- In the late '70s and early '80s there was a reaction to the shortcomings of the CISC style of processors
- Reduced Instruction Set Computers (RISC) were proposed as an alternative
- The underlying idea behind RISC processors is to simplify the instruction set and reduce instruction execution time
- RISC processors often feature:
  - Few instructions
  - Few addressing modes
  - Only load and store instructions access memory
  - All other operations are done using on-processor registers
  - Fixed length instructions
  - Single cycle execution of instructions
  - The control unit is hardwired, not microprogrammed

## REDUCED INSTRUCTION SET COMPUTERS

- Since all but the load and store instructions use only registers for operands, only a few addressing modes are needed
- By having all instructions the same length, reading them in is easy and fast
- The fetch and decode stages are simple, looking much more like Mano's Basic Computer than a CISC machine
- The instruction and address formats are designed to be easy to decode
- Unlike the variable length CISC instructions, the opcode and register fields of RISC instructions can be decoded simultaneously
- The control logic of a RISC processor is designed to be simple and fast
- The control logic is simple because of the small number of instructions and the simple addressing modes
- The control logic is hardwired, rather than microprogrammed, because hardwired control is faster

# ARCHITECTURAL METRIC

$$\begin{aligned}
 A &\leftarrow B + C \\
 B &\leftarrow A + C \\
 D &\leftarrow D - B
 \end{aligned}$$

- Register-to-register (Reuse of operands)

	8	4	16	
Load	rB		B	
Load	rC		C	
Add	rA	rB	rC	
Store	rA	A		
Add	rB	rA	rC	
Store	rB	B		
Load	rD	D		
Sub	rD	rD	rB	
Store	rD	D		

**I = 228b**  
**D = 192b**  
**M = 420b**

- Register-to-register (Compiler allocates operands in registers)

	8	4	4	4
Add	rA	rB	rC	
Add	rB	rA	rC	
Sub	rD	rD	rB	

**I = 60b**  
**D = 0b**  
**M = 60b**

- Memory-to-memory

	8	16	16	16
Add		B	C	A
Add		A	C	B
Sub		B	D	D

**I = 168b**  
**D = 288b**  
**M = 456b**



# CHARACTERISTICS OF INITIAL RISC MACHINES

	<b>IBM 801</b>	<b>RISC I</b>	<b>MIPS</b>
<b>Year</b>	<b>1980</b>	<b>1982</b>	<b>1983</b>
<b>Number of instructions</b>	<b>120</b>	<b>39</b>	<b>55</b>
<b>Control memory size</b>	<b>0</b>	<b>0</b>	<b>0</b>
<b>Instruction size (bits)</b>	<b>32</b>	<b>32</b>	<b>32</b>
<b>Technology</b>	<b>ECL MSI</b>	<b>NMOS VLSI</b>	<b>NMOS VLSI</b>
<b>Execution model</b>	<b>reg-reg</b>	<b>reg-reg</b>	<b>reg-reg</b>

# COMPARISON OF INSTRUCTION SEQUENCE

$A \leftarrow B + C$   
 $A \leftarrow A + 1$   
 $D \leftarrow D - B$

**RISC 1**

32b memory port				
OP	DEST	SOUR1		SOUR2
ADD	rA	rB	register operand	rC
ADD	rA	rA	immediate operand	1
SUB	rD	rD	register operand	rB

**VAX**

ADD (3 operands)	register operand B	register operand C	register operand A
INC (1 operands)	register operand A	SUB (2 operands)	register operand B
register operand D			

**432**

3 operands in memory	B	C ...
... C	A	A D D
A D D	1 operand in memory	A I N C
I N C	2 operands in memory	B D ...
... D	SUB	

# REGISTERS

- **By simplifying the instructions and addressing modes, there is space available on the chip or board of a RISC CPU for more circuits than with a CISC processor**
- **This extra capacity is used to**
  - Pipeline instruction execution to speed up instruction execution
  - Add a large number of registers to the CPU

# PIPELINING

- **A very important feature of many RISC processors is the ability to execute an instruction each clock cycle**
- **This may seem nonsensical, since it takes at least once clock cycle each to fetch, decode and execute an instruction.**
- **It is however possible, because of a technique known as pipelining**
  - We'll study this in detail later
- **Pipelining is the use of the processor to work on different phases of multiple instructions in parallel**

# PIPELINING

- **For instance, at one time, a pipelined processor may be**
  - Executing instruction  $i_t$
  - Decoding instruction  $i_{t+1}$
  - Fetching instruction  $i_{t+2}$  from memory
- **So, if we're running three instructions at once, and it takes an average instruction three cycles to run, the CPU is executing an average of an instruction a clock cycle**
- **As we'll see when we cover it in depth, there are complications**
  - For example, what happens to the pipeline when the processor branches
- **However, pipelined execution is an integral part of all modern processors, and plays an important role**

# REGISTERS

- By having a large number of general purpose registers, a processor can minimize the number of times it needs to access memory to load or store a value
- This results in a significant speed up, since memory accesses are *much* slower than register accesses
- Register accesses are fast, since they just use the bus on the CPU itself, and any transfer can be done in one clock cycle
- To go off-processor to memory requires using the much slower memory (or system) bus
- It may take many clock cycles to read or write to memory across the memory bus
  - The memory bus hardware is usually slower than the processor
  - There may even be competition for access to the memory bus by other devices in the computer (e.g. disk drives)
- So, for this reason alone, a RISC processor may have an advantage over a comparable CISC processor, since it only needs to access memory
  - for its instructions, and
  - occasionally to load or store a memory value

# UTILIZING RISC REGISTERS – REGISTER WINDOW

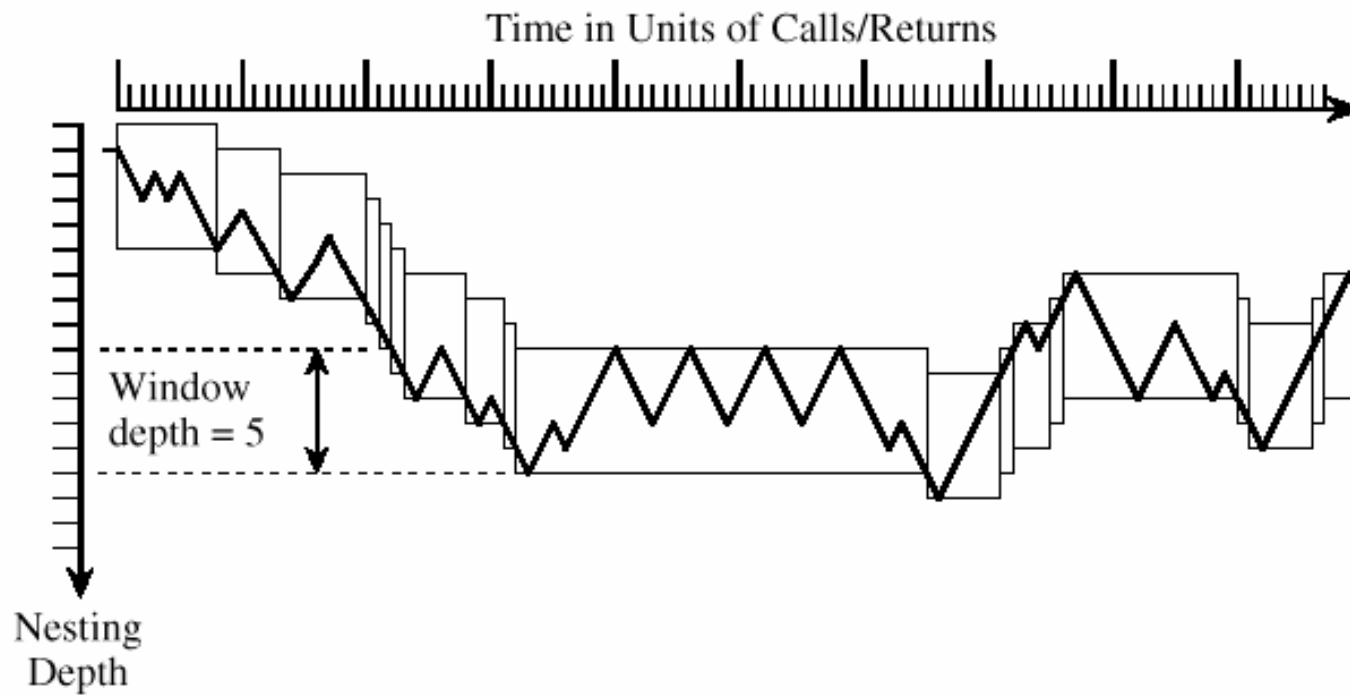
## <Weighted Relative Dynamic Frequency of HLL Operations>

	Dynamic Occurrence		Machine-Instruction Weighted		Memory Reference Weighted	
	Pascal	C	Pascal	C	Pascal	C
ASSIGN	45	38	13	13	14	15
LOOP	5	3	42	32	33	26
CALL	15	12	31	33	44	45
IF	29	43	11	21	7	13
GOTO		3				
Other	6	1	3	1	2	1

⇒ The procedure (function) call/return is the most time-consuming operations in typical HLL programs

# CALL-RETURN BEHAVIOR

Call-return behavior as a function of nesting depth and time





# REGISTER WINDOW APPROACH

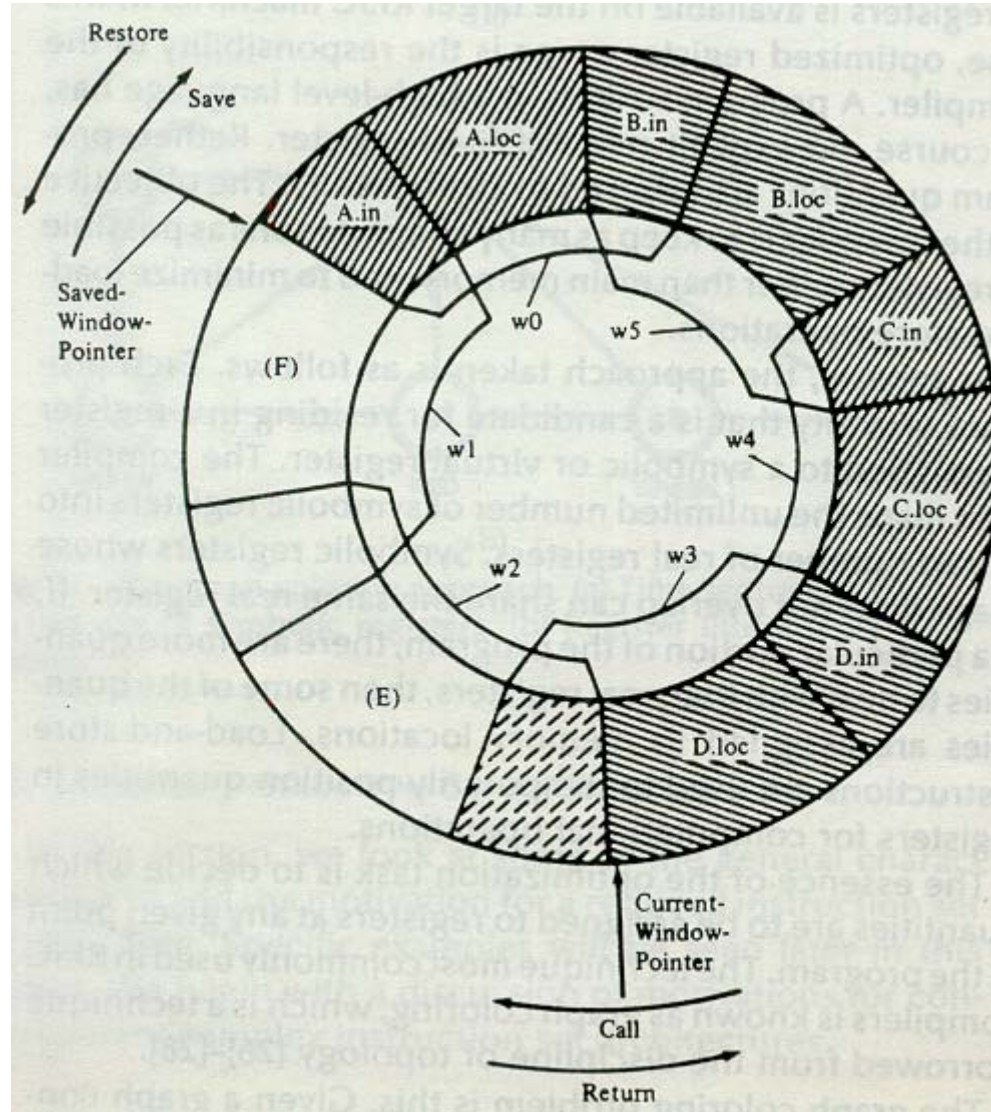
- **Observations**

- **Weighted Dynamic Frequency of HLL Operations**
  - ⇒ **Procedure call/return is the most time consuming operations**
- **Locality of Procedure Nesting**
  - ⇒ **The depth of procedure activation fluctuates within a relatively narrow range**
- **A typical procedure employs only a few passed parameters and local variables**

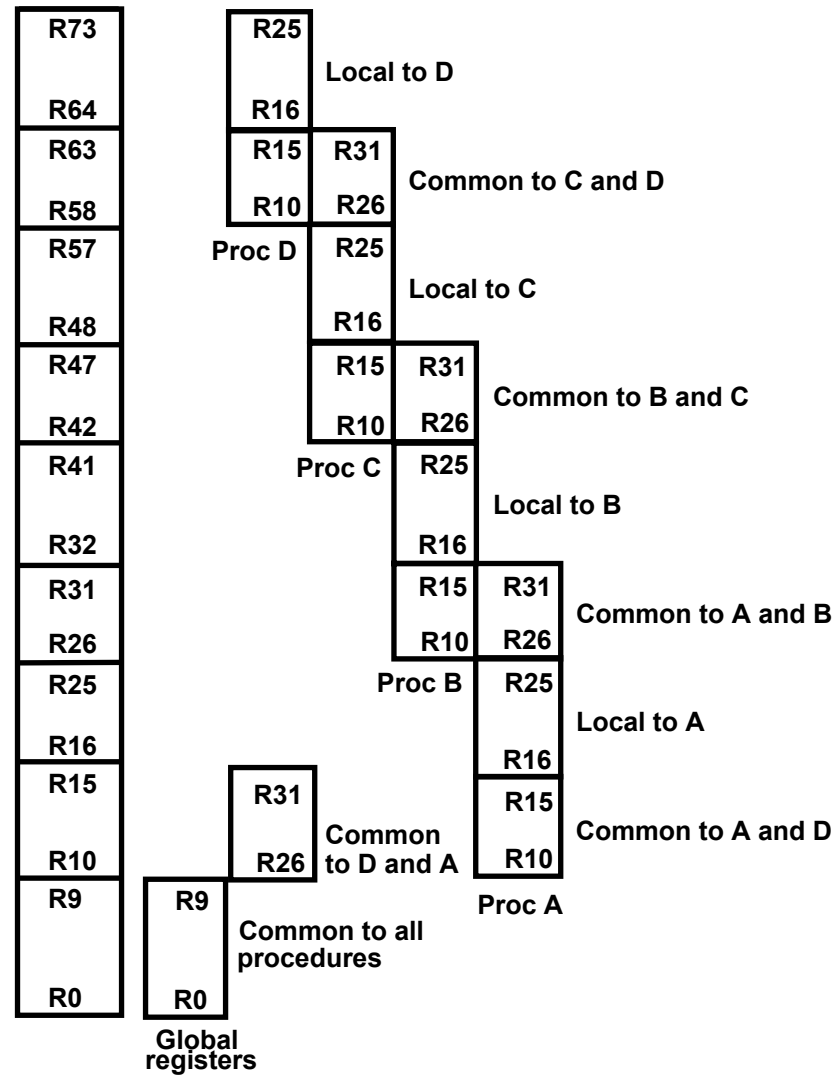
- **Solution**

- **Use multiple small sets of registers (windows), each assigned to a different procedure**
- **A procedure call automatically switches the CPU to use a different window of registers, rather than saving registers in memory**
- **Windows for adjacent procedures are overlapped to allow parameter passing**

# CIRCULAR OVERLAPPED REGISTER WINDOWS



# OVERLAPPED REGISTER WINDOWS



## OVERLAPPED REGISTER WINDOWS

- **There are three classes of registers:**
  - **Global Registers**
    - » Available to all functions
  - **Window local registers**
    - » Variables local to the function
  - **Window shared registers**
    - » Permit data to be shared without actually needing to copy it
- **Only one register window is active at a time**
  - The active register window is indicated by a pointer
- **When a function is called, a new register window is activated**
  - This is done by incrementing the pointer
- **When a function calls a new function, the high numbered registers of the calling function window are shared with the called function as the low numbered registers in its register window**
- **This way the caller's high and the called function's low registers overlap and can be used to pass parameters and results**

## OVERLAPPED REGISTER WINDOWS

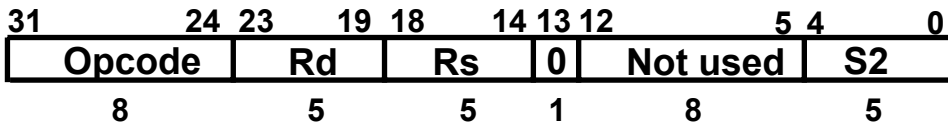
- In addition to the overlapped register windows, the processor has some number of registers,  $G$ , that are global registers
  - This is, all functions can access the global registers.
- The advantage of overlapped register windows is that the processor does not have to push registers on a stack to save values and to pass parameters when there is a function call
  - Conversely, pop the stack on a function return
- This saves
  - Accesses to memory to access the stack.
  - The cost of copying the register contents at all
- And, since function calls and returns are so common, this results in a significant savings relative to a stack-based approach

# BERKELEY RISC I

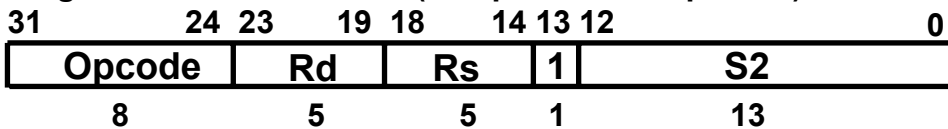
- 32-bit integrated circuit CPU
- 32-bit address, 8-, 16-, 32-bit data
- 32-bit instruction format
- total 31 instructions
- three addressing modes:  
     register; immediate; PC relative addressing
- 138 registers  
     10 global registers  
     8 windows of 32 registers each

## Berkeley RISC I Instruction Formats

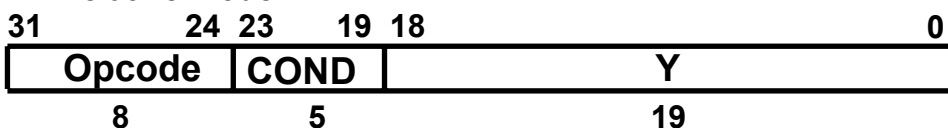
Register mode: (S2 specifies a register)



Register-immediate mode (S2 specifies an operand)



PC relative mode



# BERKELEY RISC I

- Register 0 was hard-wired to a value of 0.
- There are eight memory access instructions
  - Five load-from-memory instructions
  - Three store-to-memory instructions.
- The load instructions:

LDL	load long
LDSU	load short unsigned
LDSS	load short signed
LDBU	load byte unsigned
LDBS	load byte signed

  - Where long is 32 bits, short is 16 bits and a byte is 8 bits
- The store instructions:

STL	store long
STS	store short
STB	store byte

## Berkeley RISC I

<b>LDL</b>	$R_d \leftarrow M[(R_s) + S_2]$	load long
<b>LDSU</b>	$R_d \leftarrow M[(R_s) + S_2]$	load short unsigned
<b>LDSS</b>	$R_d \leftarrow M[(R_s) + S_2]$	load short signed
<b>LDBU</b>	$R_d \leftarrow M[(R_s) + S_2]$	load byte unsigned
<b>LDBS</b>	$R_d \leftarrow M[(R_s) + S_2]$	load byte signed
<b>STL</b>	$M[(R_s) + S_2] \leftarrow R_d$	store long
<b>STS</b>	$M[(R_s) + S_2] \leftarrow R_d$	store short
<b>STB</b>	$M[(R_s) + S_2] \leftarrow R_d$	store byte

- Here the difference between the lengths is
  - A long is simply loaded, since it is the same size as the register (32 bits).
  - A short or a byte can be loaded into a register
    - » Unsigned - in which case the upper bits of the register are loaded with 0's.
    - » Signed - in which case the upper bits of the register are loaded with the sign bit of the short/byte loaded.



# INSTRUCTION SET OF BERKELEY RISC I

Opcode	Operands	Register Transfer	Description
<b>Data manipulation instructions</b>			
ADD	Rs,S2,Rd	$Rd \leftarrow Rs + S2$	Integer add
ADDC	Rs,S2,Rd	$Rd \leftarrow Rs + S2 + \text{carry}$	Add with carry
SUB	Rs,S2,Rd	$Rd \leftarrow Rs - S2$	Integer subtract
SUBC	Rs,S2,Rd	$Rd \leftarrow Rs - S2 - \text{carry}$	Subtract with carry
SUBR	Rs,S2,Rd	$Rd \leftarrow S2 - Rs$	Subtract reverse
SUBCR	Rs,S2,Rd	$Rd \leftarrow S2 - Rs - \text{carry}$	Subtract with carry
AND	Rs,S2,Rd	$Rd \leftarrow Rs \wedge S2$	AND
OR	Rs,S2,Rd	$Rd \leftarrow Rs \vee S2$	OR
XOR	Rs,S2,Rd	$Rd \leftarrow Rs \oplus S2$	Exclusive-OR
SLL	Rs,S2,Rd	$Rd \leftarrow Rs \text{ shifted by } S2$	Shift-left
SRL	Rs,S2,Rd	$Rd \leftarrow Rs \text{ shifted by } S2$	Shift-right logical
SRA	Rs,S2,Rd	$Rd \leftarrow Rs \text{ shifted by } S2$	Shift-right arithmetic
<b>Data transfer instructions</b>			
LDL	(Rs)S2,Rd	$Rd \leftarrow M[Rs + S2]$	Load long
LDSU	(Rs)S2,Rd	$Rd \leftarrow M[Rs + S2]$	Load short unsigned
LDSS	(Rs)S2,Rd	$Rd \leftarrow M[Rs + S2]$	Load short signed
LDBU	(Rs)S2,Rd	$Rd \leftarrow M[Rs + S2]$	Load byte unsigned
LDBS	(Rs)S2,Rd	$Rd \leftarrow M[Rs + S2]$	Load byte signed
LDHI	Rd,Y	$Rd \leftarrow Y$	Load immediate high
STL	Rd,(Rs)S2	$M[Rs + S2] \leftarrow Rd$	Store long
STS	Rd,(Rs)S2	$M[Rs + S2] \leftarrow Rd$	Store short
STB	Rd,(Rs)S2	$M[Rs + S2] \leftarrow Rd$	Store byte
GETPSW	Rd	$Rd \leftarrow \text{PSW}$	Load status word
PUTPSW	Rd	$\text{PSW} \leftarrow Rd$	Set status word

# INSTRUCTION SET OF BERKELEY RISC I

Opcode	Operands	Register Transfer	Description
<b>Program control instructions</b>			
JMP	COND,S2(Rs)	$PC \leftarrow Rs + S2$	Conditional jump
JMPR	COND,Y	$PC \leftarrow PC + Y$	Jump relative
CALL	Rd,S2(Rs)	$Rd \leftarrow PC, PC \leftarrow Rs + S2$ $CWP \leftarrow CWP - 1$	Call subroutine and change window
CALLR	Rd,Y	$Rd \leftarrow PC, PC \leftarrow PC + Y$ $CWP \leftarrow CWP - 1$	Call relative and change window
RET	Rd,S2	$PC \leftarrow Rd + S2$ $CWP \leftarrow CWP + 1$	Return and change window
CALLINT	Rd	$Rd \leftarrow PC, CWP \leftarrow CWP - 1$	Call an interrupt pr.
RETINT	Rd,S2	$PC \leftarrow Rd + S2$ $CWP \leftarrow CWP + 1$	Return from interrupt pr.
GT LPC	Rd	$Rd \leftarrow PC$	Get last PC

# CHARACTERISTICS OF RISC

- **RISC Characteristics**

- Relatively few instructions
- Relatively few addressing modes
- Memory access limited to load and store instructions
- All operations done within the registers of the CPU
- Fixed-length, easily decoded instruction format
- Single-cycle instruction format
- Hardwired rather than microprogrammed control

- **Advantages of RISC**

- VLSI Realization
- Computing Speed
- Design Costs and Reliability
- High Level Language Support

## ADVANTAGES OF RISC

### • VLSI Realization

Control area is considerably reduced

#### Example:

RISC I: 6%

RISC II: 10%

MC68020: 68%

general CISCs: ~50%

⇒ RISC chips allow a large number of registers on the chip

- Enhancement of performance and HLL support
- Higher regularization factor and lower VLSI design cost

The GaAs VLSI chip realization is possible

### • Computing Speed

- Simpler, smaller control unit ⇒ faster
- Simpler instruction set; addressing modes; instruction format  
⇒ faster decoding
- Register operation ⇒ faster than memory operation
- Register window ⇒ enhances the overall speed of execution
- Identical instruction length, One cycle instruction execution  
⇒ suitable for pipelining ⇒ faster

# ADVANTAGES OF RISC

- **Design Costs and Reliability**

- **Shorter time to design**
  - ⇒ reduction in the overall design cost and reduces the problem that the end product will be obsolete by the time the design is completed
- **Simpler, smaller control unit**
  - ⇒ higher reliability
- **Simple instruction format (of fixed length)**
  - ⇒ ease of virtual memory management

- **High Level Language Support**

- **A single choice of instruction**
  - ⇒ shorter, simpler compiler
- **A large number of CPU registers**
  - ⇒ more efficient code
- **Register window**
  - ⇒ Direct support of HLL
- **Reduced burden on compiler writer**