

# **BASIC COMPUTER ORGANIZATION AND DESIGN**

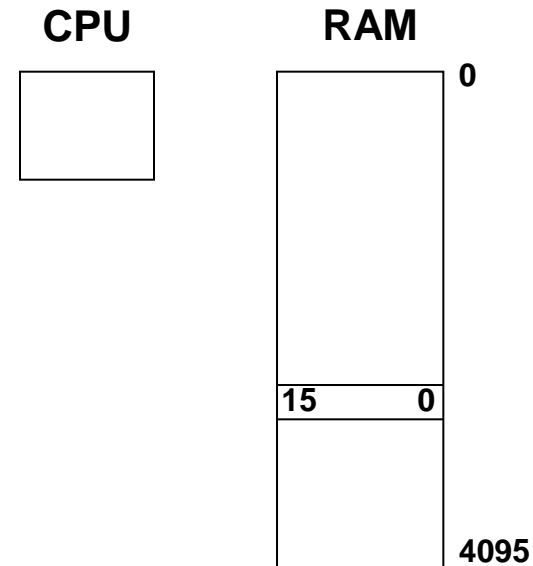
- **Instruction Codes**
- **Computer Registers**
- **Computer Instructions**
- **Timing and Control**
- **Instruction Cycle**
- **Memory Reference Instructions**
- **Input-Output and Interrupt**
- **Complete Computer Description**
- **Design of Basic Computer**
- **Design of Accumulator Logic**

# INTRODUCTION

- Every different processor type has its own design (different registers, buses, microoperations, machine instructions, etc)
- Modern processor is a very complex device
- It contains
  - Many registers
  - Multiple arithmetic units, for both integer and floating point calculations
  - The ability to pipeline several consecutive instructions to speed execution
  - Etc.
- However, to understand how processors work, we will start with a simplified processor model
- This is similar to what real processors were like ~25 years ago
- M. Morris Mano introduces a simple processor model he calls the *Basic Computer*
- We will use this to introduce processor organization and the relationship of the RTL model to the higher level computer processor

# THE BASIC COMPUTER

- The Basic Computer has two components, a processor and memory
- The memory has 4096 words in it
  - $4096 = 2^{12}$ , so it takes 12 bits to select a word in memory
- Each word is 16 bits long



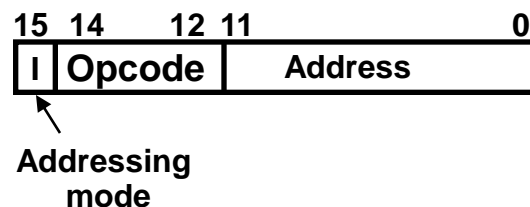
# INSTRUCTIONS

- **Program**
  - A sequence of (machine) instructions
- **(Machine) Instruction**
  - A group of bits that tell the computer to *perform a specific operation* (a sequence of micro-operation)
- The instructions of a program, along with any needed data are stored in memory
- The CPU reads the next instruction from memory
- It is placed in an *Instruction Register (IR)*
- Control circuitry in control unit then translates the instruction into the sequence of microoperations necessary to implement it

# INSTRUCTION FORMAT

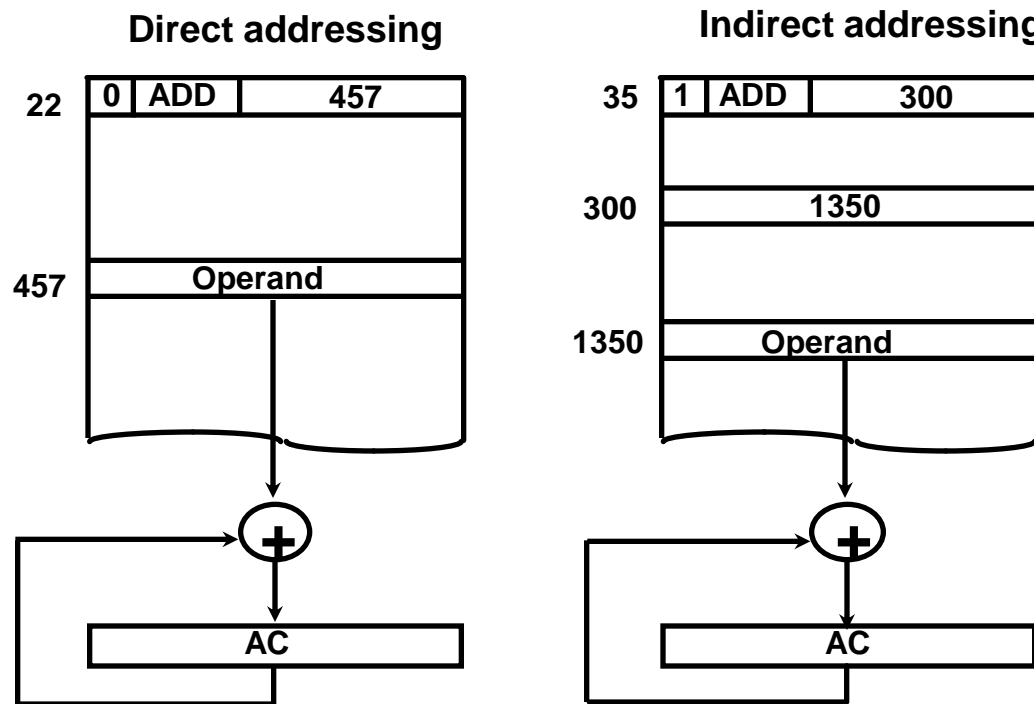
- A computer instruction is often divided into two parts
  - An *opcode* (Operation Code) that specifies the operation for that instruction
  - An *address* that specifies the registers and/or locations in memory to use for that operation
- In the Basic Computer, since the memory contains 4096 (=  $2^{12}$ ) words, we need 12 bits to specify which memory address this instruction will use
- In the Basic Computer, bit 15 of the instruction specifies the *addressing mode* (0: direct addressing, 1: indirect addressing)
- Since the memory words, and hence the instructions, are 16 bits long, that leaves 3 bits for the instruction's opcode

Instruction Format



# ADDRESSING MODES

- The address field of an instruction can represent either
  - Direct address: the address in memory of the data to use (the address of the operand), or
  - Indirect address: the address in memory of the address in memory of the data to use



- Effective Address (EA)
  - The address, that can be directly used without modification to access an operand for a computation-type instruction, or as the target address for a branch-type instruction

# PROCESSOR REGISTERS

- A processor has many registers to hold instructions, addresses, data, etc
- The processor has a register, the *Program Counter (PC)* that holds the memory address of the next instruction to get
  - Since the memory in the Basic Computer only has 4096 locations, the PC only needs 12 bits
- In a direct or indirect addressing, the processor needs to keep track of what locations in memory it is addressing: The *Address Register (AR)* is used for this
  - The AR is a 12 bit register in the Basic Computer
- When an operand is found, using either direct or indirect addressing, it is placed in the *Data Register (DR)*. The processor then uses this value as data for its operation
- The Basic Computer has a single *general purpose register* – the *Accumulator (AC)*

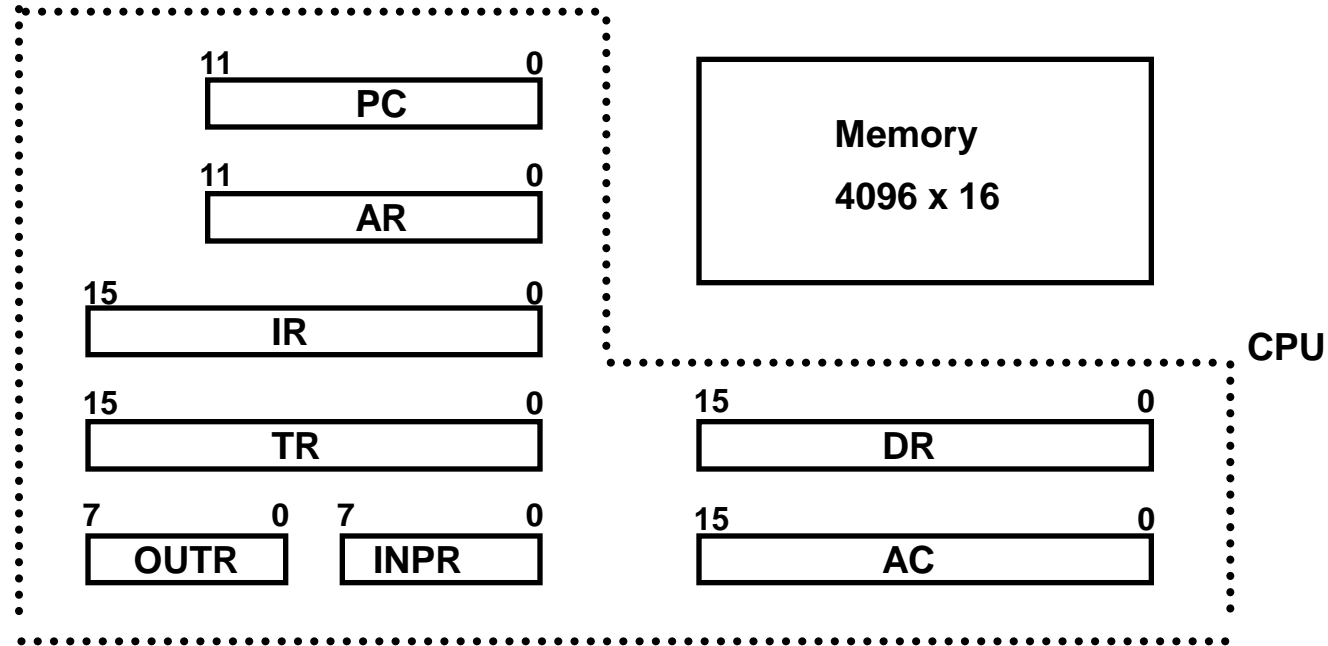
# PROCESSOR REGISTERS

- The significance of a general purpose register is that it can be referred to in instructions
  - e.g. load AC with the contents of a specific memory location; store the contents of AC into a specified memory location
- Often a processor will need a scratch register to store intermediate results or other temporary data; in the Basic Computer this is the *Temporary Register (TR)*
- The Basic Computer uses a very simple model of input/output (I/O) operations
  - Input devices are considered to send 8 bits of character data to the processor
  - The processor can send 8 bits of character data to output devices
- The *Input Register (INPR)* holds an 8 bit character gotten from an input device
- The *Output Register (OUTR)* holds an 8 bit character to be send to an output device



# BASIC COMPUTER REGISTERS

## Registers in the Basic Computer



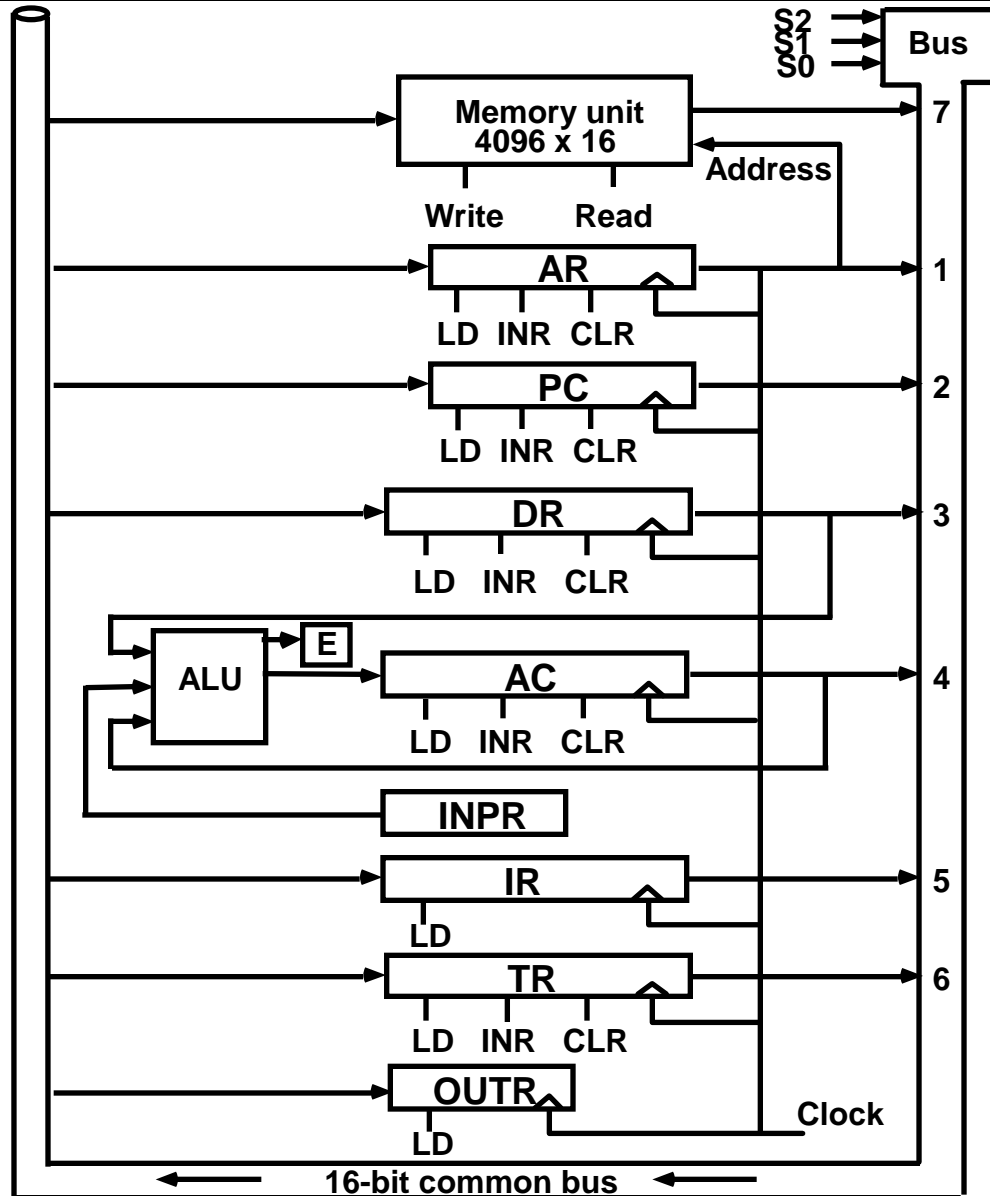
## List of BC Registers

DR	16	Data Register	Holds memory operand
AR	12	Address Register	Holds address for memory
AC	16	Accumulator	Processor register
IR	16	Instruction Register	Holds instruction code
PC	12	Program Counter	Holds address of instruction
TR	16	Temporary Register	Holds temporary data
INPR	8	Input Register	Holds input character
OUTR	8	Output Register	Holds output character

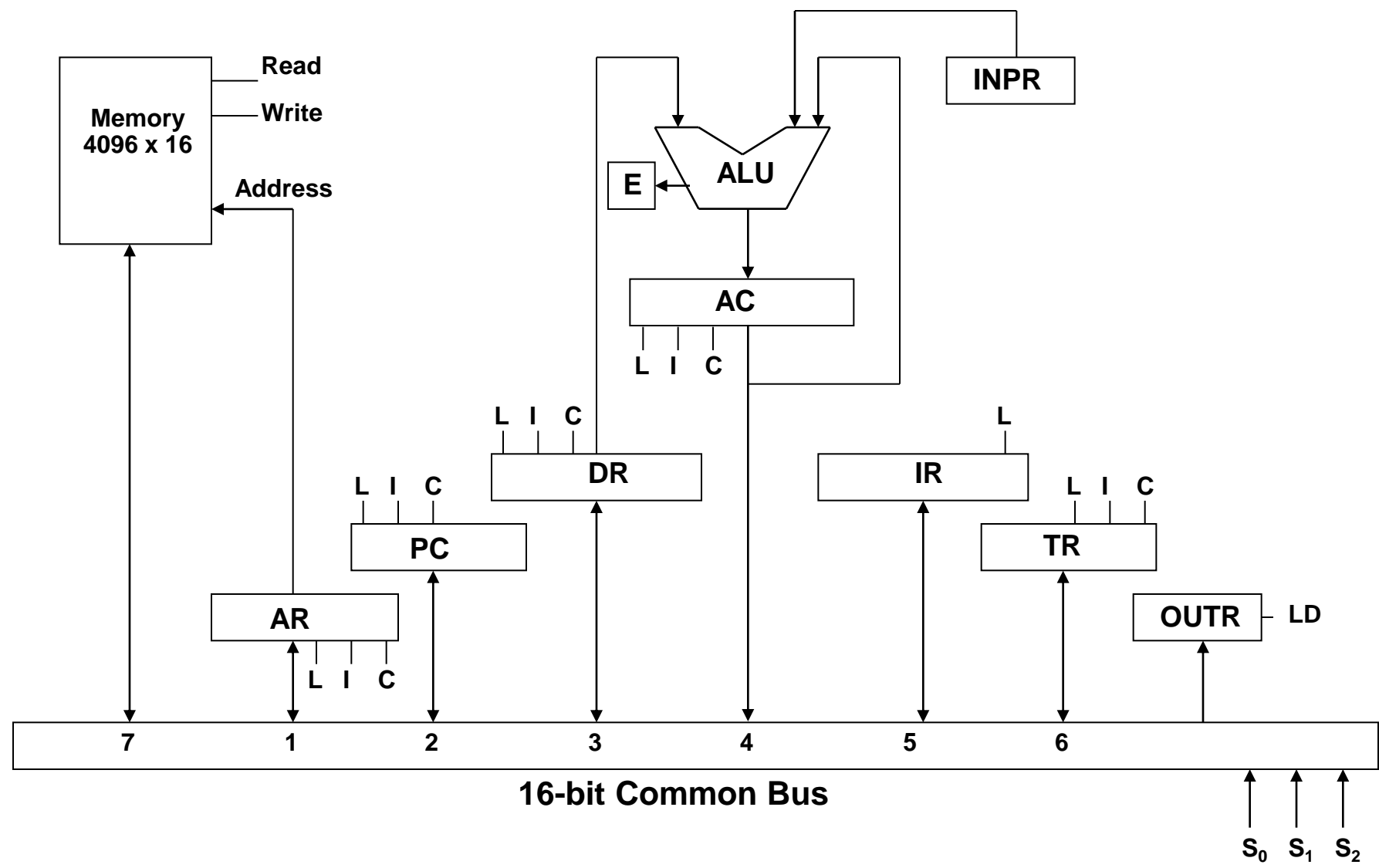
# COMMON BUS SYSTEM

- **The registers in the Basic Computer are connected using a bus**
- **This gives a savings in circuitry over complete connections between registers**

# COMMON BUS SYSTEM



# COMMON BUS SYSTEM



# COMMON BUS SYSTEM

- Three control lines,  $S_2$ ,  $S_1$ , and  $S_0$  control which register the bus selects as its input

$S_2$	$S_1$	$S_0$	Register
0	0	0	X
0	0	1	AR
0	1	0	PC
0	1	1	DR
1	0	0	AC
1	0	1	IR
1	1	0	TR
1	1	1	Memory

- Either one of the registers will have its load signal activated, or the memory will have its read signal activated
  - Will determine where the data from the bus gets loaded
- The 12-bit registers, AR and PC, have 0's loaded onto the bus in the high order 4 bit positions
- When the 8-bit register OTR is loaded from the bus, the data comes from the low order 8 bits on the bus

# BASIC COMPUTER INSTRUCTIONS

## • Basic Computer Instruction Format

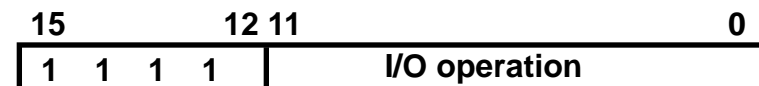
### Memory-Reference Instructions (OP-code = 000 ~ 110)



### Register-Reference Instructions (OP-code = 111, I = 0)



### Input-Output Instructions (OP-code = 111, I = 1)



# BASIC COMPUTER INSTRUCTIONS

<i>Symbol</i>	<i>Hex Code</i>		<i>Description</i>
	<i>I = 0</i>	<i>I = 1</i>	
AND	0xxx	8xxx	AND memory word to AC
ADD	1xxx	9xxx	Add memory word to AC
LDA	2xxx	Axxx	Load AC from memory
STA	3xxx	Bxxx	Store content of AC into memory
BUN	4xxx	Cxxx	Branch unconditionally
BSA	5xxx	Dxxx	Branch and save return address
ISZ	6xxx	Exxx	Increment and skip if zero
CLA	7800		Clear AC
CLE	7400		Clear E
CMA	7200		Complement AC
CME	7100		Complement E
CIR	7080		Circulate right AC and E
CIL	7040		Circulate left AC and E
INC	7020		Increment AC
SPA	7010		Skip next instr. if AC is positive
SNA	7008		Skip next instr. if AC is negative
SZA	7004		Skip next instr. if AC is zero
SZE	7002		Skip next instr. if E is zero
HLT	7001		Halt computer
INP	F800		Input character to AC
OUT	F400		Output character from AC
SKI	F200		Skip on input flag
SKO	F100		Skip on output flag
ION	F080		Interrupt on
IOF	F040		Interrupt off

# INSTRUCTION SET COMPLETENESS

A computer should have a set of instructions so that the user can construct machine language programs to evaluate any function that is known to be computable.

- **Instruction Types**

- Functional Instructions**

- Arithmetic, logic, and shift instructions
    - ADD, CMA, INC, CIR, CIL, AND, CLA

- Transfer Instructions**

- Data transfers between the main memory and the processor registers
    - LDA, STA

- Control Instructions**

- Program sequencing and control
    - BUN, BSA, ISZ

- Input/Output Instructions**

- Input and output
    - INP, OUT

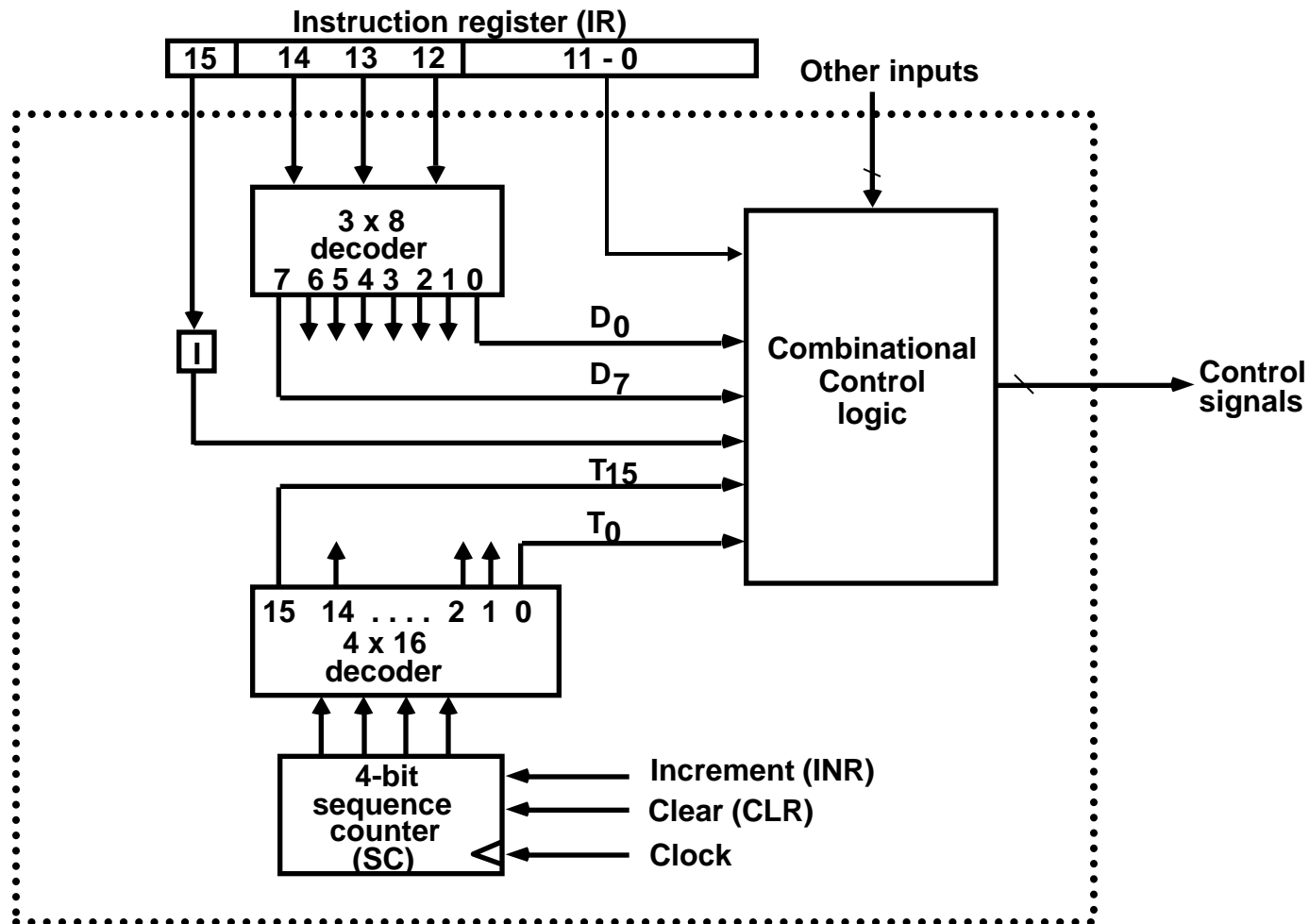


# CONTROL UNIT

- **Control unit (CU) of a processor translates from machine instructions to the control signals for the microoperations that implement them**
- **Control units are implemented in one of two ways**
- ***Hardwired* Control**
  - CU is made up of sequential and combinational circuits to generate the control signals
- ***Microprogrammed* Control**
  - A control memory on the processor contains microprograms that activate the necessary control signals
- **We will consider a hardwired implementation of the control unit for the Basic Computer**

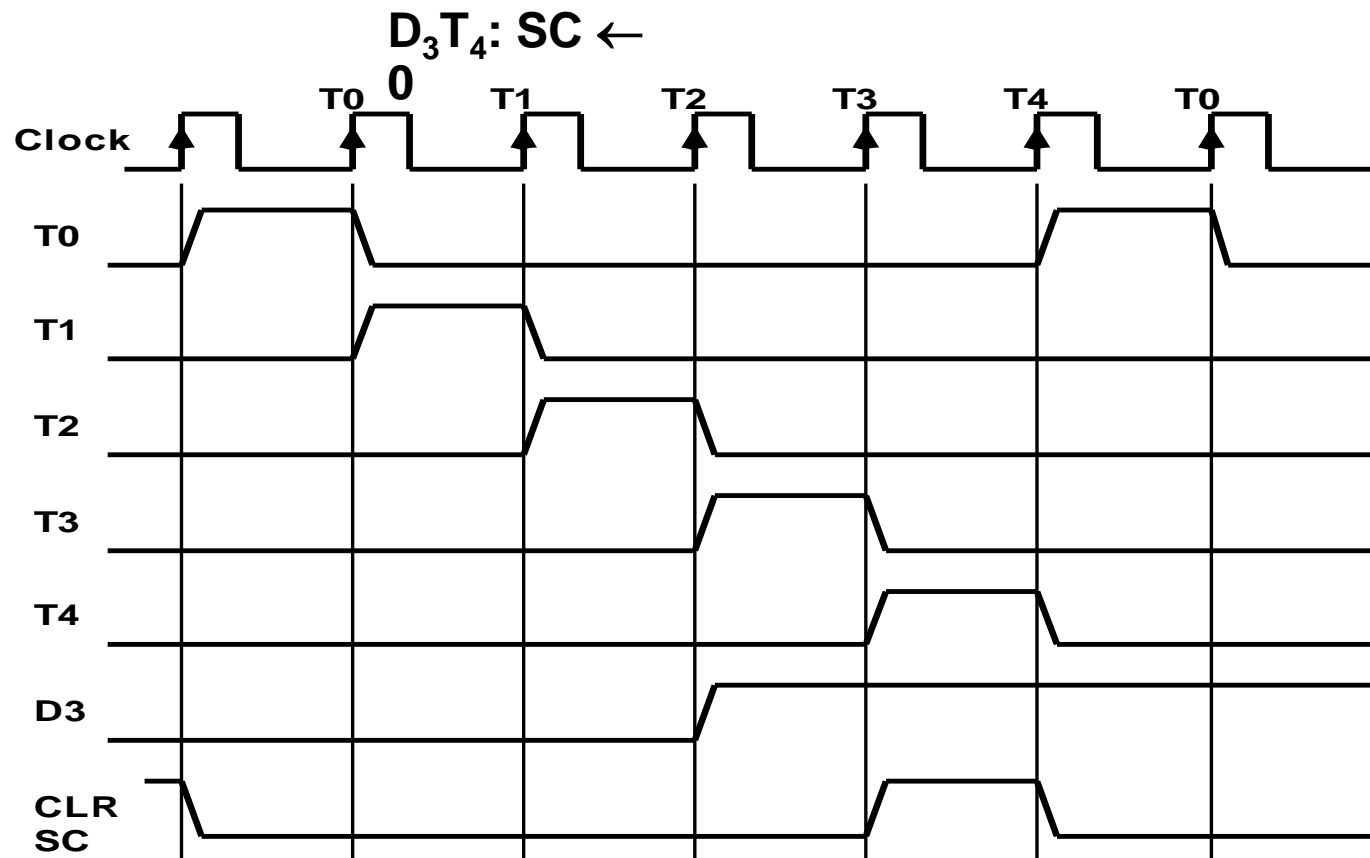
# TIMING AND CONTROL

## Control unit of Basic Computer



# TIMING SIGNALS

- Generated by 4-bit sequence counter and 4×16 decoder
- The SC can be incremented or cleared.
- Example:  $T_0, T_1, T_2, T_3, T_4, T_0, T_1, \dots$   
Assume: At time  $T_4$ , SC is cleared to 0 if decoder output D3 is active.



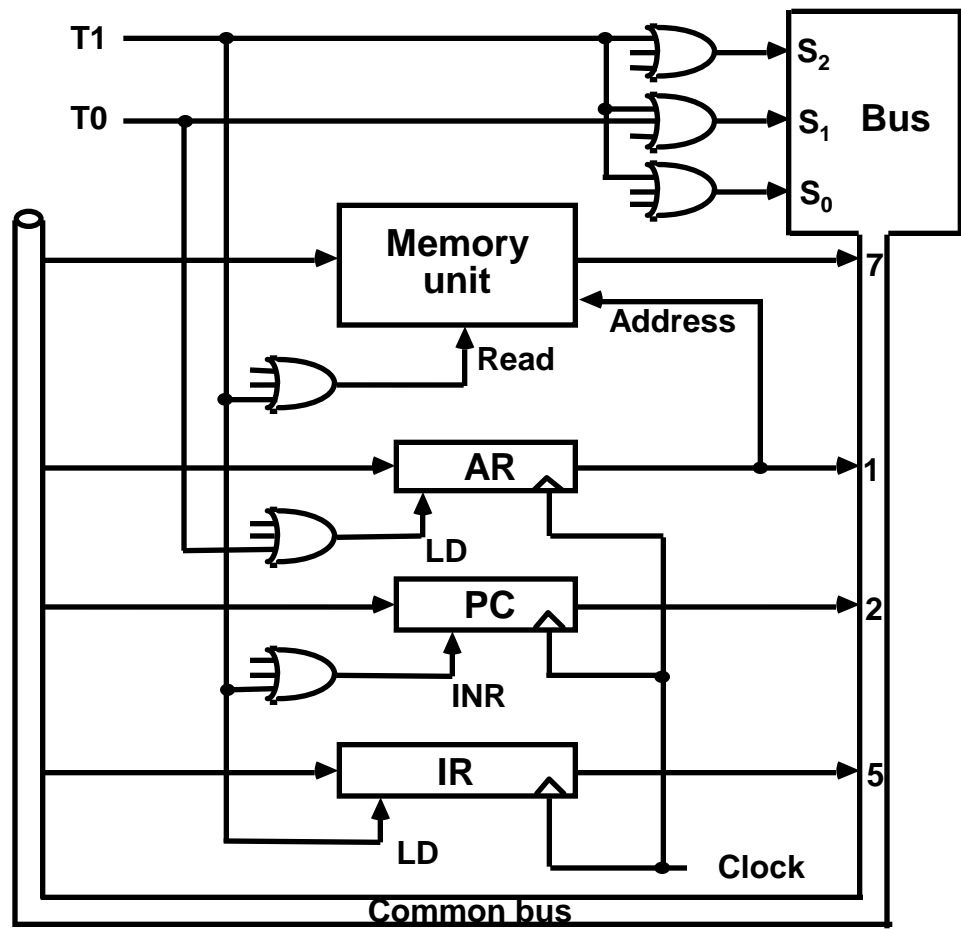
# INSTRUCTION CYCLE

- **In Basic Computer, a machine instruction is executed in the following cycle:**
  1. **Fetch an instruction from memory**
  2. **Decode the instruction**
  3. **Read the effective address from memory if the instruction has an indirect address**
  4. **Execute the instruction**
- **After an instruction is executed, the cycle starts again at step 1, for the next instruction**
- ***Note:* Every different processor has its own (different) instruction cycle**

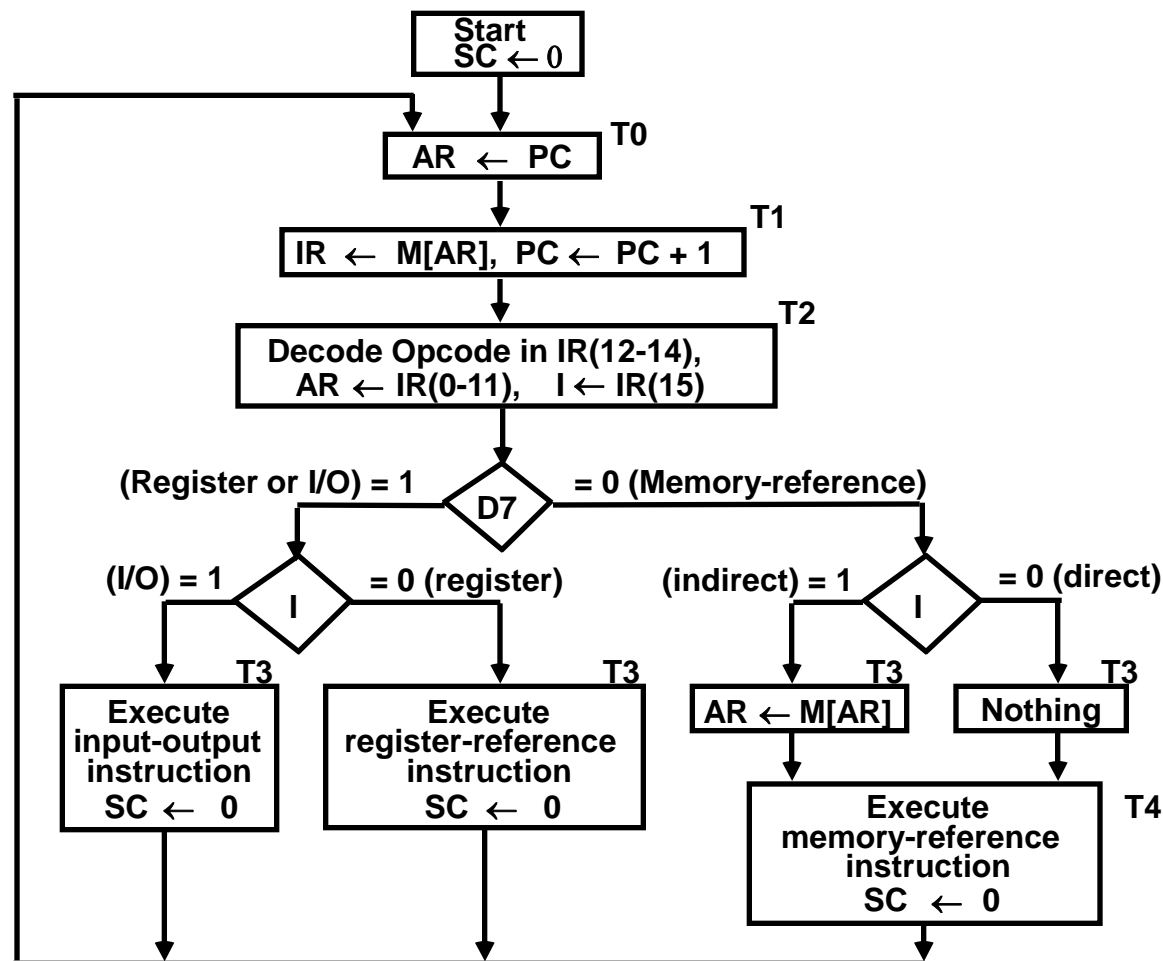
# FETCH and DECODE

• Fetch and Decode

T0:  $AR \leftarrow PC$  ( $S_0S_1S_2=010, T_0=1$ )  
 T1:  $IR \leftarrow M[AR], PC \leftarrow PC + 1$  ( $S_0S_1S_2=111, T_1=1$ )  
 T2:  $D_0, \dots, D_7 \leftarrow \text{Decode } IR(12-14), AR \leftarrow IR(0-11), I \leftarrow IR(15)$



# DETERMINE THE TYPE OF INSTRUCTION



**D'7IT3:** AR ← M[AR]  
**D'7I'T3:** Nothing  
**D7I'T3:** Execute a register-reference instr.  
**D7IT3:** Execute an input-output instr.

# REGISTER REFERENCE INSTRUCTIONS

Register Reference Instructions are identified when

- $D_7 = 1, I = 0$
- Register Ref. Instr. is specified in  $b_0 \sim b_{11}$  of IR
- Execution starts with timing signal  $T_3$

$r = D_7 I' T_3 \Rightarrow$  Register Reference Instruction

$B_i = IR(i), i=0,1,2,\dots,11$

	$r:$	$SC \leftarrow 0$
CLA	$rB_{11}:$	$AC \leftarrow 0$
CLE	$rB_{10}:$	$E \leftarrow 0$
CMA	$rB_9:$	$AC \leftarrow AC'$
CME	$rB_8:$	$E \leftarrow E'$
CIR	$rB_7:$	$AC \leftarrow shr\ AC, AC(15) \leftarrow E, E \leftarrow AC(0)$
CIL	$rB_6:$	$AC \leftarrow shl\ AC, AC(0) \leftarrow E, E \leftarrow AC(15)$
INC	$rB_5:$	$AC \leftarrow AC + 1$
SPA	$rB_4:$	if $(AC(15) = 0)$ then $(PC \leftarrow PC+1)$
SNA	$rB_3:$	if $(AC(15) = 1)$ then $(PC \leftarrow PC+1)$
SZA	$rB_2:$	if $(AC = 0)$ then $(PC \leftarrow PC+1)$
SZE	$rB_1:$	if $(E = 0)$ then $(PC \leftarrow PC+1)$
HLT	$rB_0:$	$S \leftarrow 0$ ( $S$ is a start-stop flip-flop)





# MEMORY REFERENCE INSTRUCTIONS

**LDA: Load to AC**

$D_2T_4: DR \leftarrow M[AR]$

$D_2T_5: AC \leftarrow DR, SC \leftarrow 0$

**STA: Store AC**

$D_3T_4: M[AR] \leftarrow AC, SC \leftarrow 0$

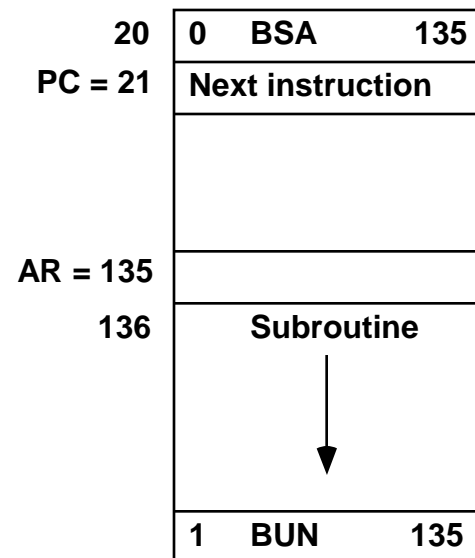
**BUN: Branch Unconditionally**

$D_4T_4: PC \leftarrow AR, SC \leftarrow 0$

**BSA: Branch and Save Return Address**

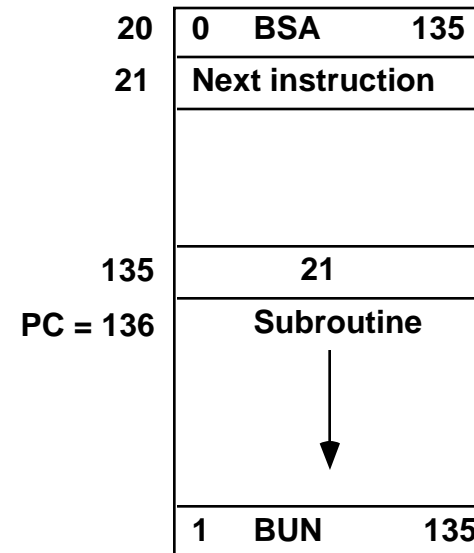
$M[AR] \leftarrow PC, PC \leftarrow AR + 1$

Memory, PC, AR at time  $T_4$



Memory

Memory, PC after execution



Memory

# MEMORY REFERENCE INSTRUCTIONS

**BSA:**

$D_5T_4$ :  $M[AR] \leftarrow PC, AR \leftarrow AR + 1$

$D_5T_5$ :  $PC \leftarrow AR, SC \leftarrow 0$

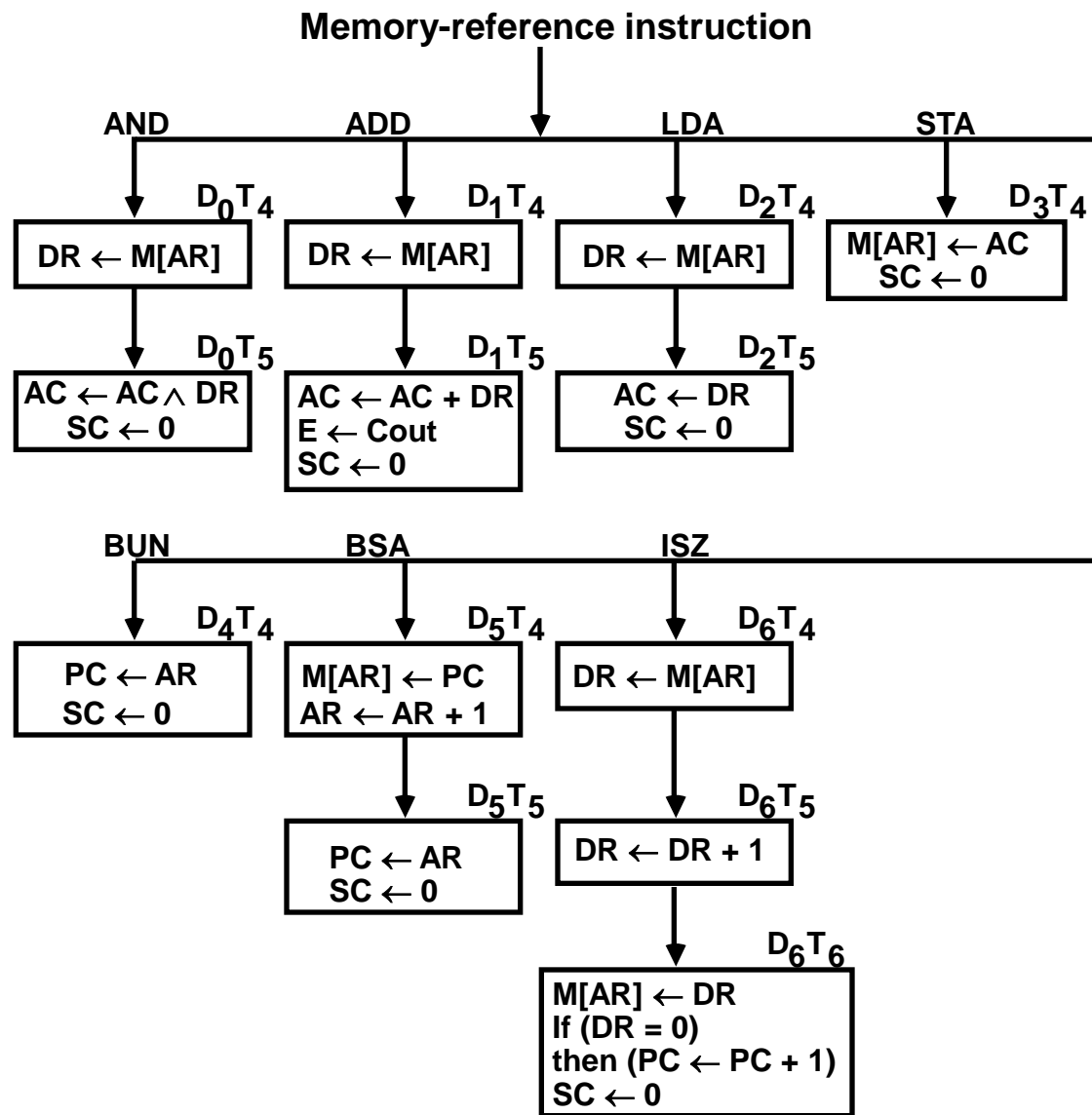
**ISZ: Increment and Skip-if-Zero**

$D_6T_4$ :  $DR \leftarrow M[AR]$

$D_6T_5$ :  $DR \leftarrow DR + 1$

$D_6T_4$ :  $M[AR] \leftarrow DR, \text{ if } (DR = 0) \text{ then } (PC \leftarrow PC + 1), SC \leftarrow 0$

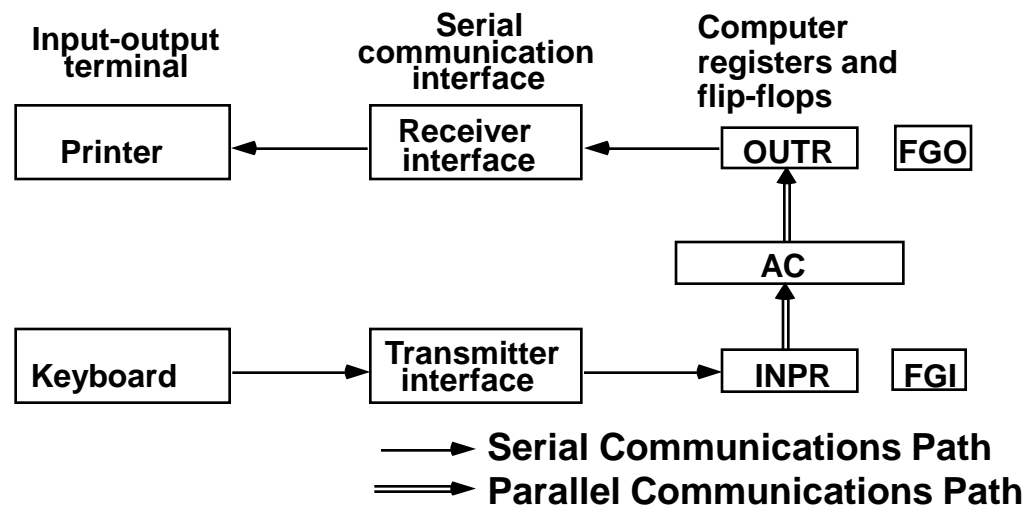
# FLOWCHART FOR MEMORY REFERENCE INSTRUCTIONS



# INPUT-OUTPUT AND INTERRUPT

## A Terminal with a keyboard and a Printer

### • Input-Output Configuration



**INPR** Input register - 8 bits  
**OUTR** Output register - 8 bits  
**FGI** Input flag - 1 bit  
**FGO** Output flag - 1 bit  
**IEN** Interrupt enable - 1 bit

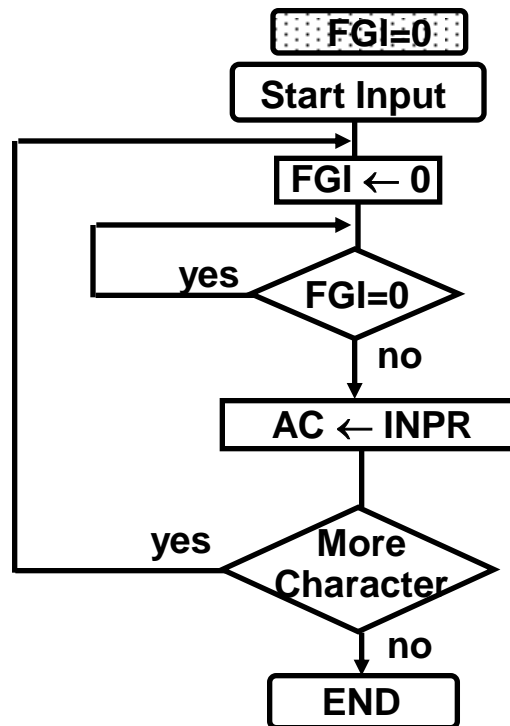
- The terminal sends and receives serial information
- The serial info. from the keyboard is shifted into INPR
- The serial info. for the printer is stored in the OUTR
- INPR and OUTR communicate with the terminal serially and with the AC in parallel.
- The flags are needed to *synchronize* the timing difference between I/O device and the computer

# PROGRAM CONTROLLED DATA TRANSFER

-- CPU --

```
/* Input */      /* Initially FGI = 0 */
loop: If FGI = 0 goto loop
      AC ← INPR, FGI ← 0
```

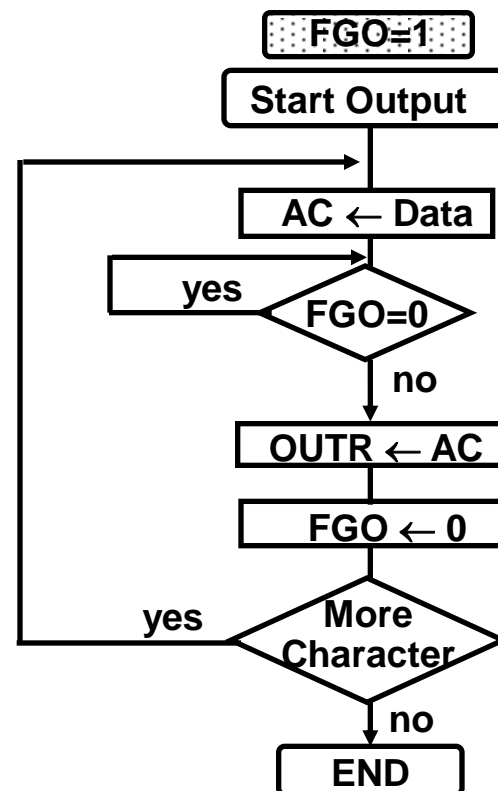
```
/* Output */    /* Initially FGO = 1 */
loop: If FGO = 0 goto loop
      OUTR ← AC, FGO ← 0
```



-- I/O Device --

```
loop: If FGI = 1 goto loop
      INPR ← new data, FGI ← 1
```

```
loop: If FGO = 1 goto loop
      consume OUTR, FGO ← 1
```



# INPUT-OUTPUT INSTRUCTIONS

$D_7IT_3 = p$

$IR(i) = B_i, i = 6, \dots, 11$

	<b>p:</b>	<b><math>SC \leftarrow 0</math></b>	<b>Clear SC</b>
<b>INP</b>	<b><math>pB_{11}</math>:</b>	<b><math>AC(0-7) \leftarrow INPR, FGI \leftarrow 0</math></b>	<b>Input char. to AC</b>
<b>OUT</b>	<b><math>pB_{10}</math>:</b>	<b><math>OUTR \leftarrow AC(0-7), FGO \leftarrow 0</math></b>	<b>Output char. from AC</b>
<b>SKI</b>	<b><math>pB_9</math>:</b>	<b>if(<math>FGI = 1</math>) then (<math>PC \leftarrow PC + 1</math>)</b>	<b>Skip on input flag</b>
<b>SKO</b>	<b><math>pB_8</math>:</b>	<b>if(<math>FGO = 1</math>) then (<math>PC \leftarrow PC + 1</math>)</b>	<b>Skip on output flag</b>
<b>ION</b>	<b><math>pB_7</math>:</b>	<b><math>IEN \leftarrow 1</math></b>	<b>Interrupt enable on</b>
<b>IOF</b>	<b><math>pB_6</math>:</b>	<b><math>IEN \leftarrow 0</math></b>	<b>Interrupt enable off</b>

# PROGRAM-CONTROLLED INPUT/OUTPUT

- Program-controlled I/O
  - Continuous CPU involvement  
I/O takes valuable CPU time
  - CPU slowed down to I/O speed
  - Simple
  - Least hardware

## Input

LOOP,	SKI	DEV
	BUN	LOOP
	INP	DEV

## Output

LOOP,	LDA	DATA
LOP,	SKO	DEV
	BUN	LOP
	OUT	DEV

# INTERRUPT INITIATED INPUT/OUTPUT

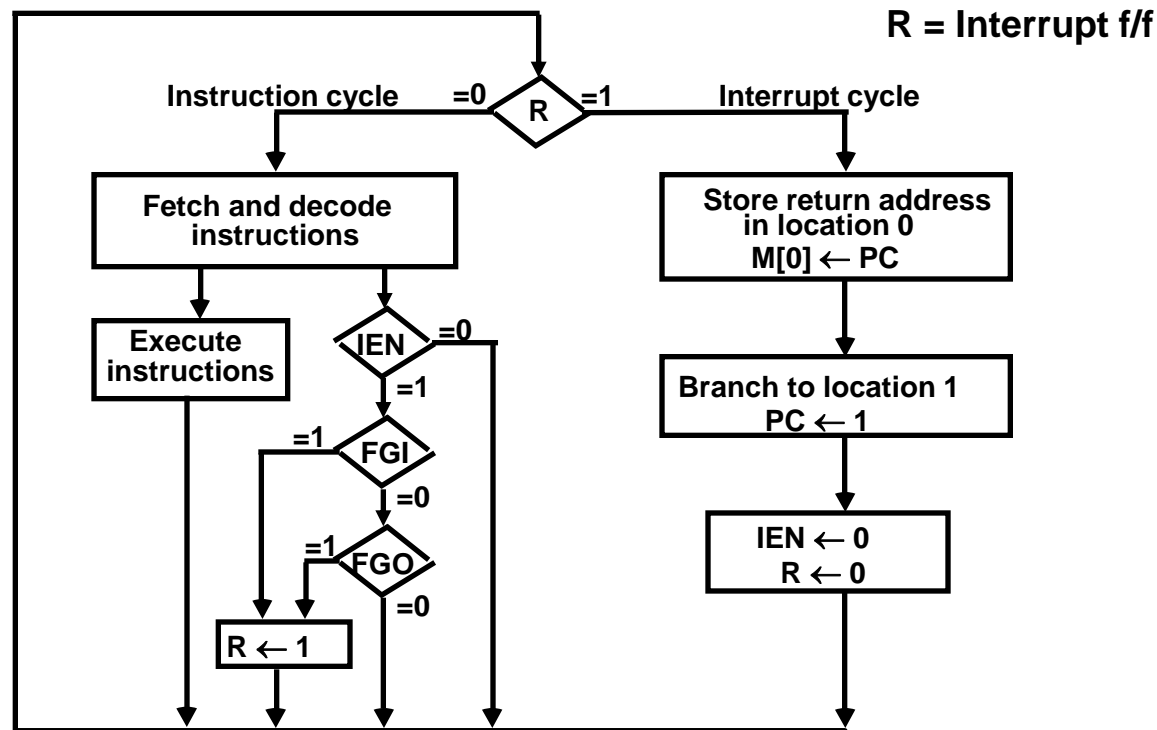
- Open communication only when some data has to be passed --> *interrupt*.
- The I/O interface, instead of the CPU, monitors the I/O device.
- When the interface finds that the I/O device is ready for data transfer, it generates an interrupt request to the CPU
- Upon detecting an interrupt, the CPU stops momentarily the task it is doing, branches to the service routine to process the data transfer, and then returns to the task it was performing.

## \* IEN (Interrupt-enable flip-flop)

- can be set and cleared by instructions
- when cleared, the computer cannot be interrupted

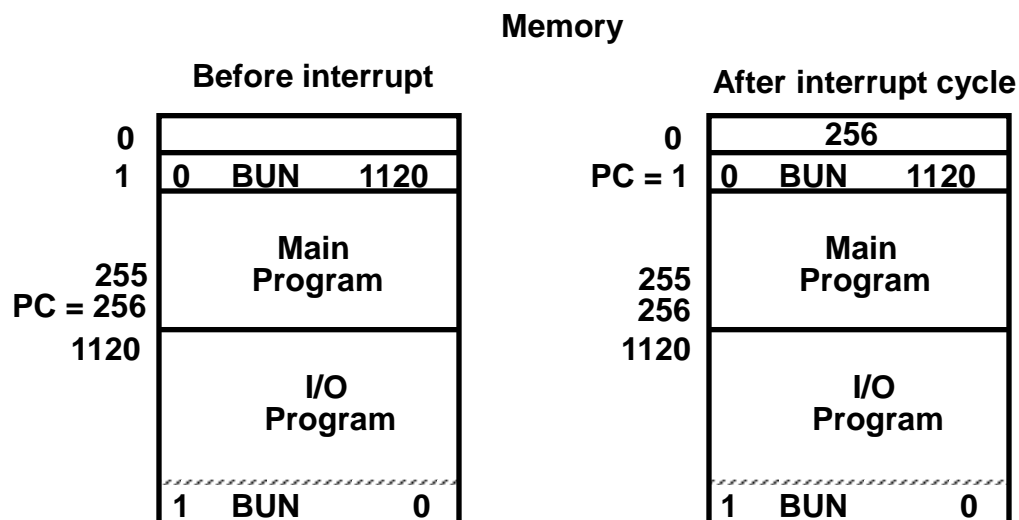


# FLOWCHART FOR INTERRUPT CYCLE



- The interrupt cycle is a HW implementation of a branch and save return address operation.
- At the beginning of the next instruction cycle, the instruction that is read from memory is in address 1.
- At memory address 1, the programmer must store a branch instruction that sends the control to an interrupt service routine
- The instruction that returns the control to the original program is "indirect BUN 0"

# REGISTER TRANSFER OPERATIONS IN INTERRUPT CYCLE



## Register Transfer Statements for Interrupt Cycle

$$- R \text{ F/F} \leftarrow 1 \quad \text{if } IEN (FGI + FGO) T_0' T_1' T_2'$$

$$\Leftrightarrow T_0' T_1' T_2' (IEN)(FGI + FGO): R \leftarrow 1$$

- The fetch and decode phases of the instruction cycle must be modified  $\rightarrow$  Replace  $T_0, T_1, T_2$  with  $R'T_0, R'T_1, R'T_2$
- The interrupt cycle :

$$RT_0: AR \leftarrow 0, TR \leftarrow PC$$

$$RT_1: M[AR] \leftarrow TR, PC \leftarrow 0$$

$$RT_2: PC \leftarrow PC + 1, IEN \leftarrow 0, R \leftarrow 0, SC \leftarrow 0$$

# **FURTHER QUESTIONS ON INTERRUPT**

**How can the CPU recognize the device requesting an interrupt ?**

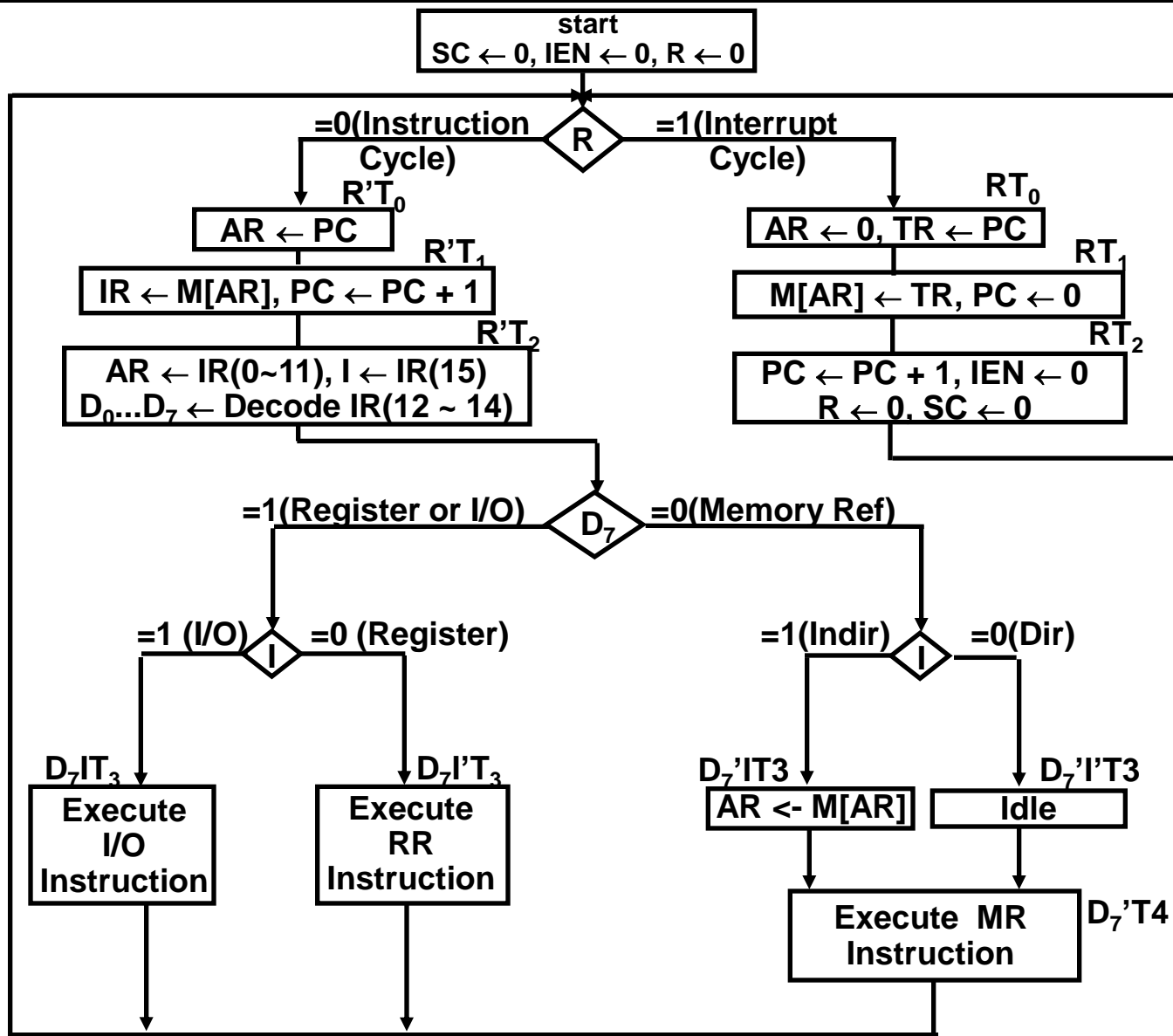
**Since different devices are likely to require different interrupt service routines, how can the CPU obtain the starting address of the appropriate routine in each case ?**

**Should any device be allowed to interrupt the CPU while another interrupt is being serviced ?**

**How can the situation be handled when two or more interrupt requests occur simultaneously ?**

# COMPLETE COMPUTER DESCRIPTION

## Flowchart of Operations



# COMPLETE COMPUTER DESCRIPTION

## Microoperations

Fetch	R'T <sub>0</sub> :	AR ← PC
	R'T <sub>1</sub> :	IR ← M[AR], PC ← PC + 1
Decode	R'T <sub>2</sub> :	D <sub>0</sub> , ..., D <sub>7</sub> ← Decode IR(12 ~ 14), AR ← IR(0 ~ 11), I ← IR(15)
Indirect Interrupt	D <sub>7</sub> 'IT <sub>3</sub> :	AR ← M[AR]
	T <sub>0</sub> 'T <sub>1</sub> 'T <sub>2</sub> '(IEN)(FGI + FGO):	R ← 1
	RT <sub>0</sub> :	AR ← 0, TR ← PC
	RT <sub>1</sub> :	M[AR] ← TR, PC ← 0
	RT <sub>2</sub> :	PC ← PC + 1, IEN ← 0, R ← 0, SC ← 0
Memory-Reference		
AND	D <sub>0</sub> T <sub>4</sub> :	DR ← M[AR]
	D <sub>0</sub> T <sub>5</sub> :	AC ← AC ∧ DR, SC ← 0
ADD	D <sub>1</sub> T <sub>4</sub> :	DR ← M[AR]
	D <sub>1</sub> T <sub>5</sub> :	AC ← AC + DR, E ← C <sub>out</sub> , SC ← 0
LDA	D <sub>2</sub> T <sub>4</sub> :	DR ← M[AR]
	D <sub>2</sub> T <sub>5</sub> :	AC ← DR, SC ← 0
STA	D <sub>3</sub> T <sub>4</sub> :	M[AR] ← AC, SC ← 0
BUN	D <sub>4</sub> T <sub>4</sub> :	PC ← AR, SC ← 0
BSA	D <sub>5</sub> T <sub>4</sub> :	M[AR] ← PC, AR ← AR + 1
	D <sub>5</sub> T <sub>5</sub> :	PC ← AR, SC ← 0
ISZ	D <sub>6</sub> T <sub>4</sub> :	DR ← M[AR]
	D <sub>6</sub> T <sub>5</sub> :	DR ← DR + 1
	D <sub>6</sub> T <sub>6</sub> :	M[AR] ← DR, if(DR=0) then (PC ← PC + 1), SC ← 0

# COMPLETE COMPUTER DESCRIPTION

## Microoperations

### Register-Reference

	$D_7I'T_3 = r$	(Common to all register-reference instr)
	$IR(i) = B_i$	( $i = 0,1,2, \dots, 11$ )
	$r:$	$SC \leftarrow 0$
CLA	$rB_{11}:$	$AC \leftarrow 0$
CLE	$rB_{10}:$	$E \leftarrow 0$
CMA	$rB_9:$	$AC \leftarrow AC'$
CME	$rB_8:$	$E \leftarrow E'$
CIR	$rB_7:$	$AC \leftarrow shr\ AC, AC(15) \leftarrow E, E \leftarrow AC(0)$
CIL	$rB_6:$	$AC \leftarrow shl\ AC, AC(0) \leftarrow E, E \leftarrow AC(15)$
INC	$rB_5:$	$AC \leftarrow AC + 1$
SPA	$rB_4:$	If( $AC(15) = 0$ ) then ( $PC \leftarrow PC + 1$ )
SNA	$rB_3:$	If( $AC(15) = 1$ ) then ( $PC \leftarrow PC + 1$ )
SZA	$rB_2:$	If( $AC = 0$ ) then ( $PC \leftarrow PC + 1$ )
SZE	$rB_1:$	If( $E = 0$ ) then ( $PC \leftarrow PC + 1$ )
HLT	$rB_0:$	$S \leftarrow 0$

### Input-Output

	$D_7IT_3 = p$	(Common to all input-output instructions)
	$IR(i) = B_i$	( $i = 6,7,8,9,10,11$ )
	$p:$	$SC \leftarrow 0$
INP	$pB_{11}:$	$AC(0-7) \leftarrow INPR, FGI \leftarrow 0$
OUT	$pB_{10}:$	$OUTR \leftarrow AC(0-7), FGO \leftarrow 0$
SKI	$pB_9:$	If( $FGI = 1$ ) then ( $PC \leftarrow PC + 1$ )
SKO	$pB_8:$	If( $FGO = 1$ ) then ( $PC \leftarrow PC + 1$ )
ION	$pB_7:$	$IEN \leftarrow 1$
IOF	$pB_6:$	$IEN \leftarrow 0$

# DESIGN OF BASIC COMPUTER(BC)

## Hardware Components of BC

A memory unit: 4096 x 16.

Registers:

AR, PC, DR, AC, IR, TR, OTR, INPR, and SC

Flip-Flops(Status):

I, S, E, R, IEN, FGI, and FGO

Decoders: a 3x8 Opcode decoder  
a 4x16 timing decoder

Common bus: 16 bits

Control logic gates:

Adder and Logic circuit: Connected to AC

## Control Logic Gates

- Input Controls of the nine registers
- Read and Write Controls of memory
- Set, Clear, or Complement Controls of the flip-flops
- $S_2, S_1, S_0$  Controls to select a register for the bus
- AC, and Adder and Logic circuit

# CONTROL OF REGISTERS AND MEMORY

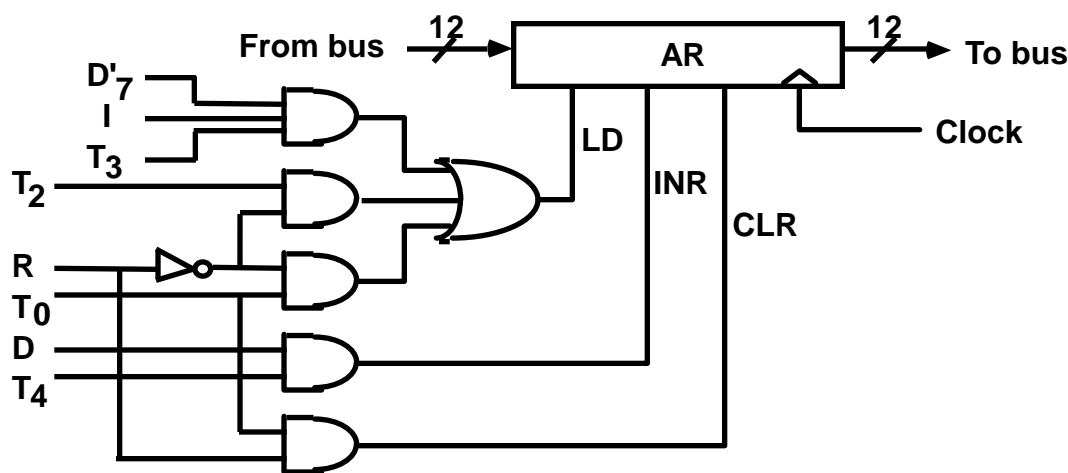
## Address Register; AR

Scan all of the register transfer statements that change the content of AR:

$R'T_0$ :	$AR \leftarrow PC$	$LD(AR)$
$R'T_2$ :	$AR \leftarrow IR(0-11)$	$LD(AR)$
$D'I_3$ :	$AR \leftarrow M[AR]$	$LD(AR)$
$RT_0$ :	$AR \leftarrow 0$	$CLR(AR)$
$D_5T_4$ :	$AR \leftarrow AR + 1$	$INR(AR)$



$LD(AR) = R'T_0 + R'T_2 + D'I_3$
$CLR(AR) = RT_0$
$INR(AR) = D_5T_4$





# CONTROL OF FLAGS

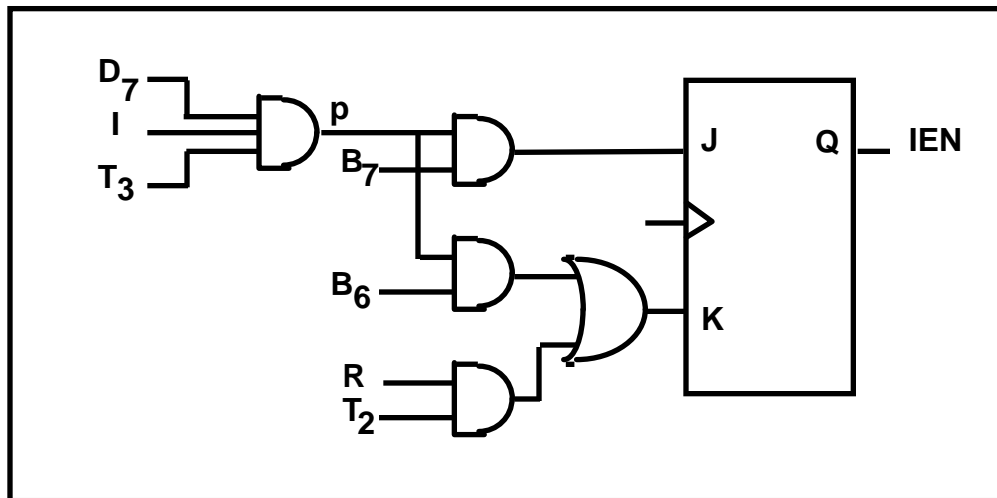
## IEN: Interrupt Enable Flag

$pB_7$ : IEN  $\leftarrow$  1 (I/O Instruction)

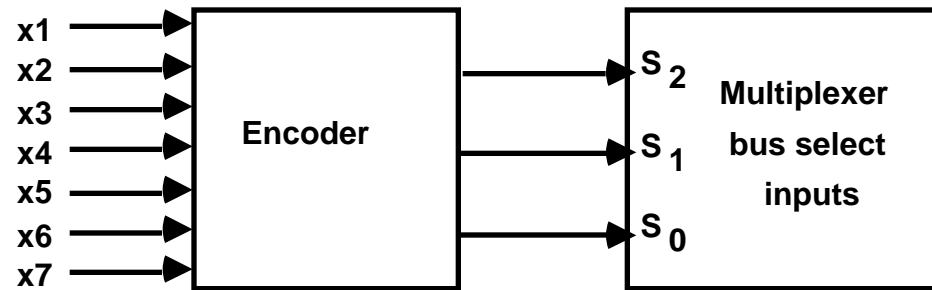
$pB_6$ : IEN  $\leftarrow$  0 (I/O Instruction)

$RT_2$ : IEN  $\leftarrow$  0 (Interrupt)

$p = D_7IT_3$  (Input/Output Instruction)



# CONTROL OF COMMON BUS



$x_1$	$x_2$	$x_3$	$x_4$	$x_5$	$x_6$	$x_7$	$S_2$	$S_1$	$S_0$	selected register
0	0	0	0	0	0	0	0	0	0	none
1	0	0	0	0	0	0	0	0	1	AR
0	1	0	0	0	0	0	0	1	0	PC
0	0	1	0	0	0	0	0	1	1	DR
0	0	0	1	0	0	0	1	0	0	AC
0	0	0	0	1	0	0	1	0	1	IR
0	0	0	0	0	1	0	1	1	0	TR
0	0	0	0	0	0	1	1	1	1	Memory

For AR

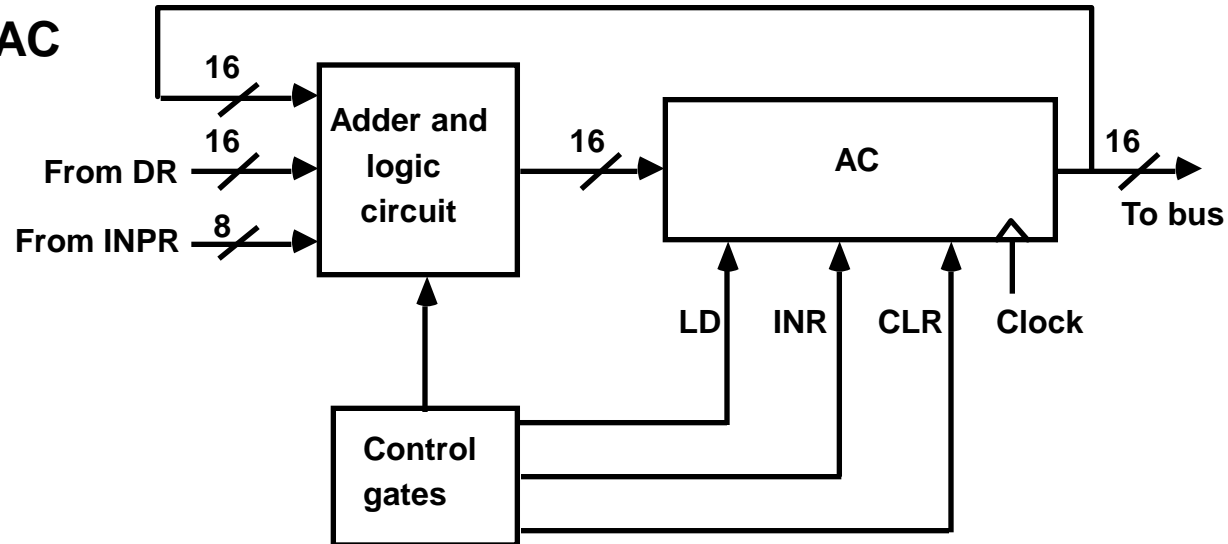
$D_4T_4: PC \leftarrow AR$   
 $D_5T_5: PC \leftarrow AR$



$$x_1 = D_4T_4 + D_5T_5$$

# DESIGN OF ACCUMULATOR LOGIC

## Circuits associated with AC

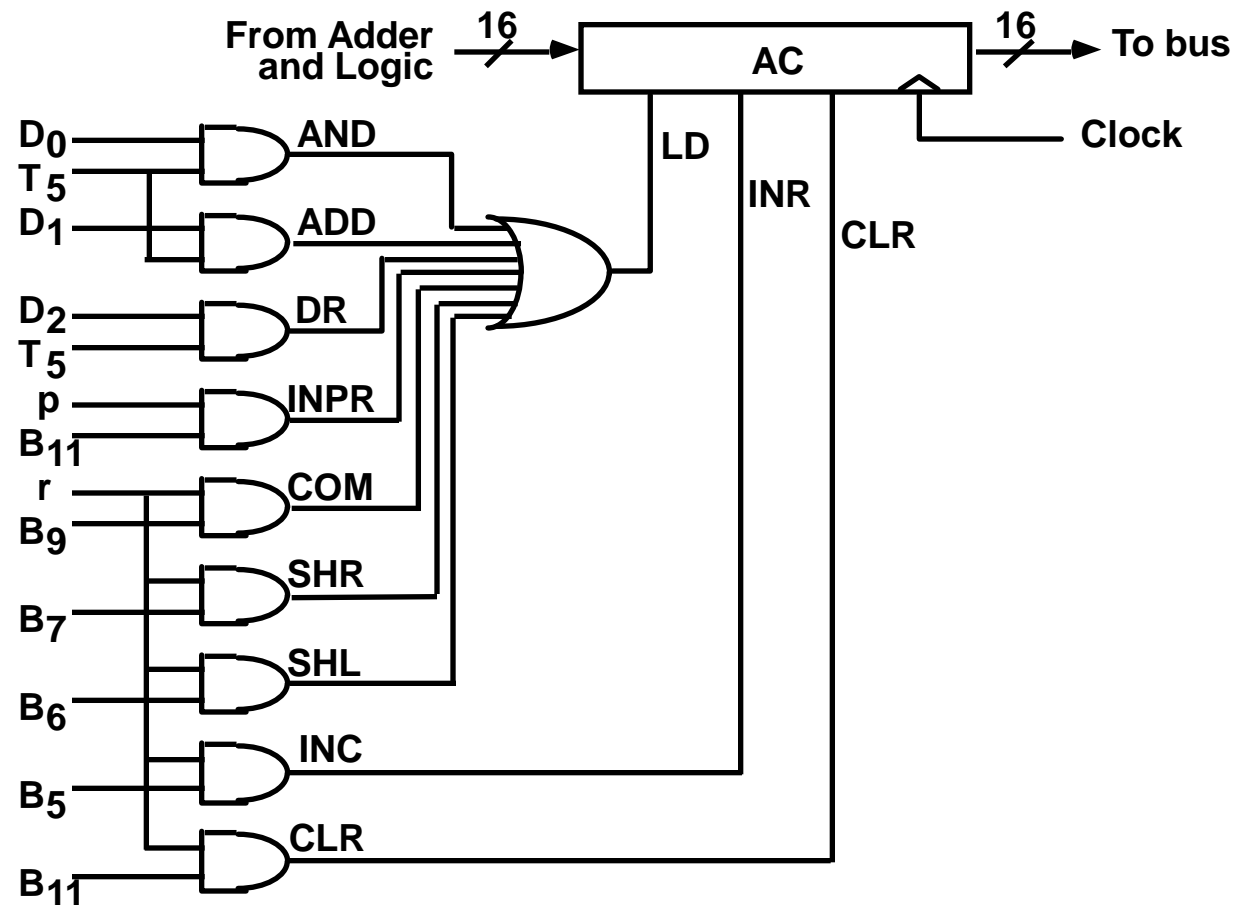


## All the statements that change the content of AC

$D_0T_5:$	$AC \leftarrow AC \wedge DR$	AND with DR
$D_1T_5:$	$AC \leftarrow AC + DR$	Add with DR
$D_2T_5:$	$AC \leftarrow DR$	Transfer from DR
$pB_{11}:$	$AC(0-7) \leftarrow INPR$	Transfer from INPR
$rB_9:$	$AC \leftarrow AC'$	Complement
$rB_7:$	$AC \leftarrow shr AC, AC(15) \leftarrow E$	Shift right
$rB_6:$	$AC \leftarrow shl AC, AC(0) \leftarrow E$	Shift left
$rB_{11}:$	$AC \leftarrow 0$	Clear
$rB_5:$	$AC \leftarrow AC + 1$	Increment

# CONTROL OF AC REGISTER

Gate structures for controlling the LD, INR, and CLR of AC



# ALU (ADDER AND LOGIC CIRCUIT)

## One stage of Adder and Logic circuit

